

SPECIFICATION SHEET

COLLECTION: Té

PRODUCT CODE: WG-TEBOX149/B-1/2-CP



DESCRIPTION:

té wall mounted exposed thermostatic shower valve 1/2"
with V2 single function low pressure slide rail shower kit
and wall mounting brackets
thermostatic cartridge TE-001C-WAX
flow cartridge TE-002B-1/2

kit comprises:

WG-V2KIT-C/P

TE-149T-C/P

WG-049BRACK+SHR-C/P

minimum operating pressure 0.2 bar LP

FINISH:

Chrome

FLOW REGULATOR:

FR-SHOWER/9-C/P

MINIMUM OPERATING PRESSURE:

0.2 bar LP



tel: 01934 744466

email: sales@vado.com

www.vado.com

where inspiration flows

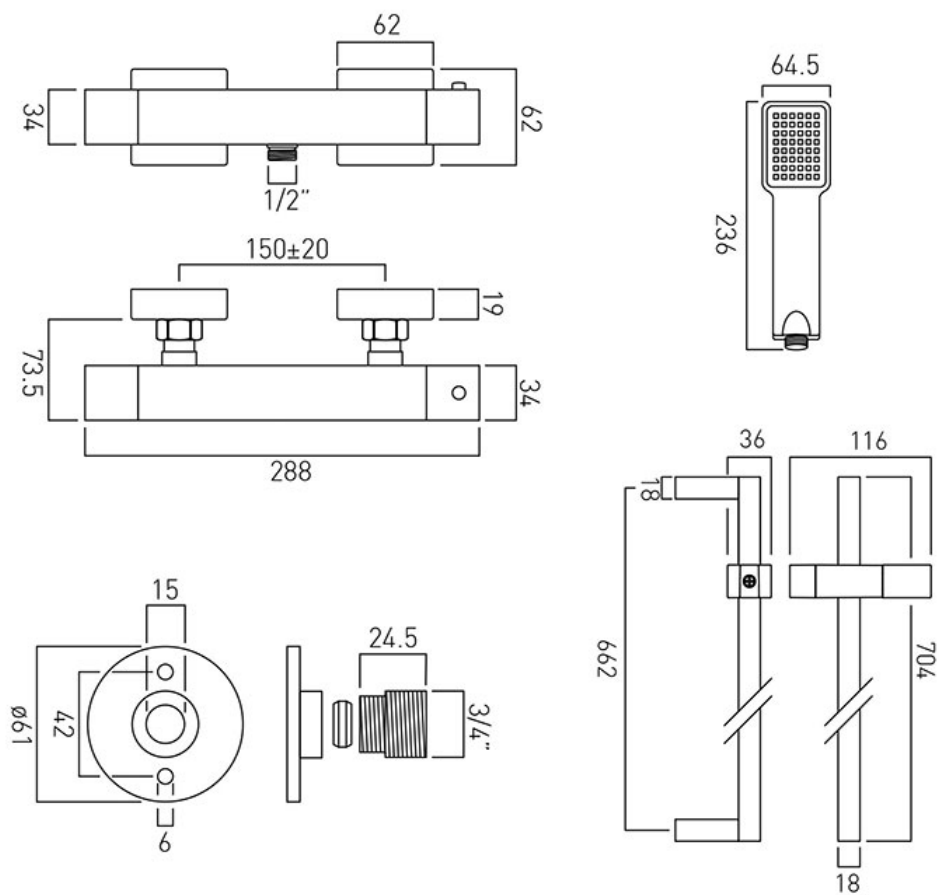
taps | showering | accessories



TECHNICAL DRAWING

COLLECTION: Té

PRODUCT CODE: WG-TEBOX149/B-1/2-CP



tel: 01934 744466
email: sales@vado.com
www.vado.com

where inspiration flows
taps | showering | accessories

