

SPECIFICATION SHEET

COLLECTION: CELSIUS

PRODUCT CODE: WG-1760-ATM-CP



DESCRIPTION:

exposed thermostatic 3/4" mini concentric shower valve
atmosphere slide rail shower kit
with air-injection 5 function handset
and 150cm shower hose
flow cartridge C-203-RTC
minimum operating pressure 1.0 bar MP

FINISH:

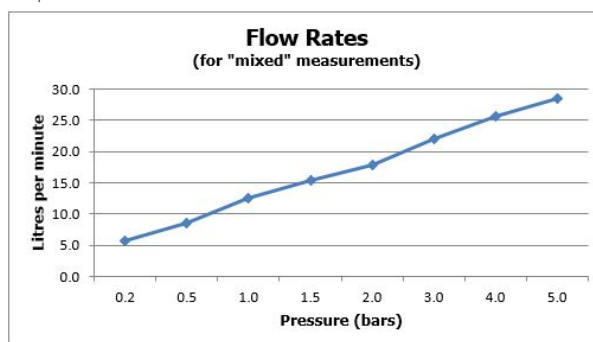
Chrome

MINIMUM OPERATING PRESSURE:

1.0 bar MP

FLOW RATE AT 3.0 BAR FLOW PRESSURE:

22 l/m



tel: 01934 744466
email: sales@vado.com
www.vado.com

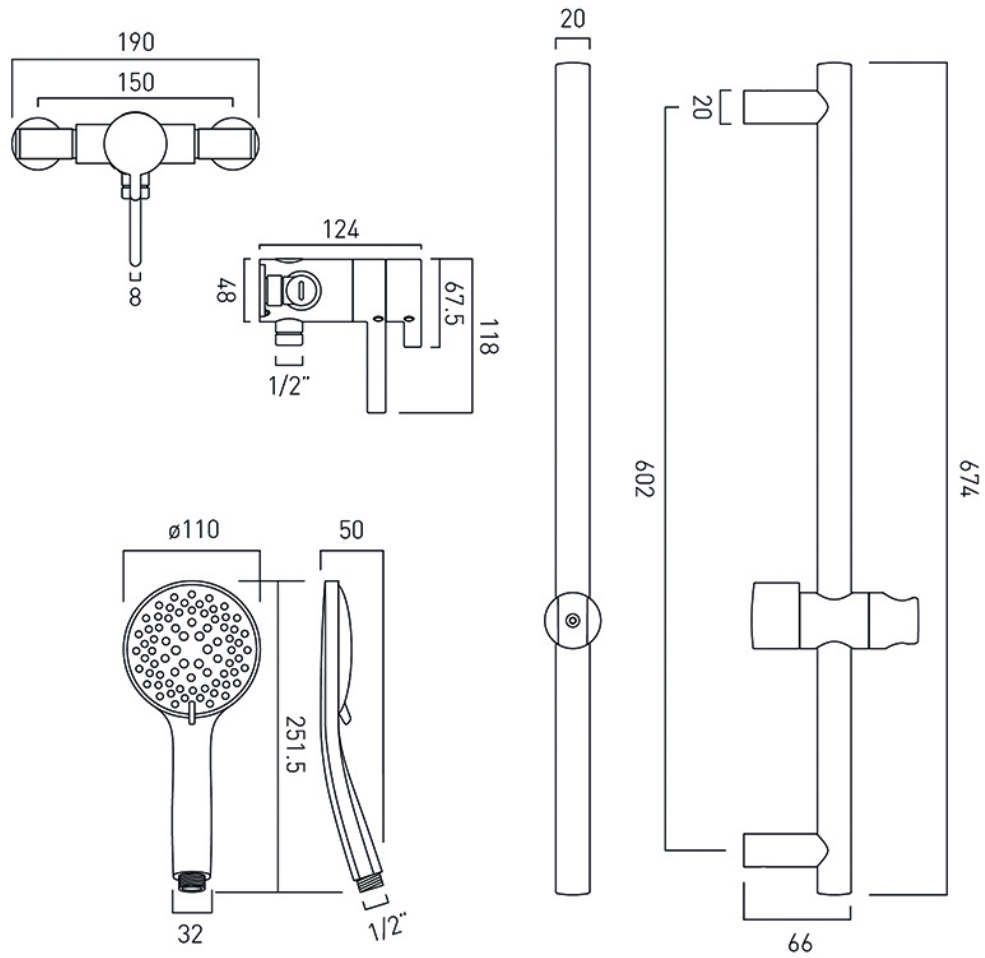
where inspiration flows
taps | showering | accessories



TECHNICAL DRAWING

COLLECTION: CELSIUS

PRODUCT CODE: WG-1760-ATM-CP



tel: 01934 744466
email: sales@vado.com
www.vado.com

where inspiration flows
taps | showering | accessories

