

SPECIFICATION SHEET

COLLECTION: OTHER

PRODUCT CODE: PEX-392-S-C/P



DESCRIPTION:

slotted captive basin waste
flip top waste
1.1/4" x 10mm threaded connections

FINISH:

Chrome

FLOW REGULATOR:

N



tel: 01934 744466
email: sales@vado.com
www.vado.com

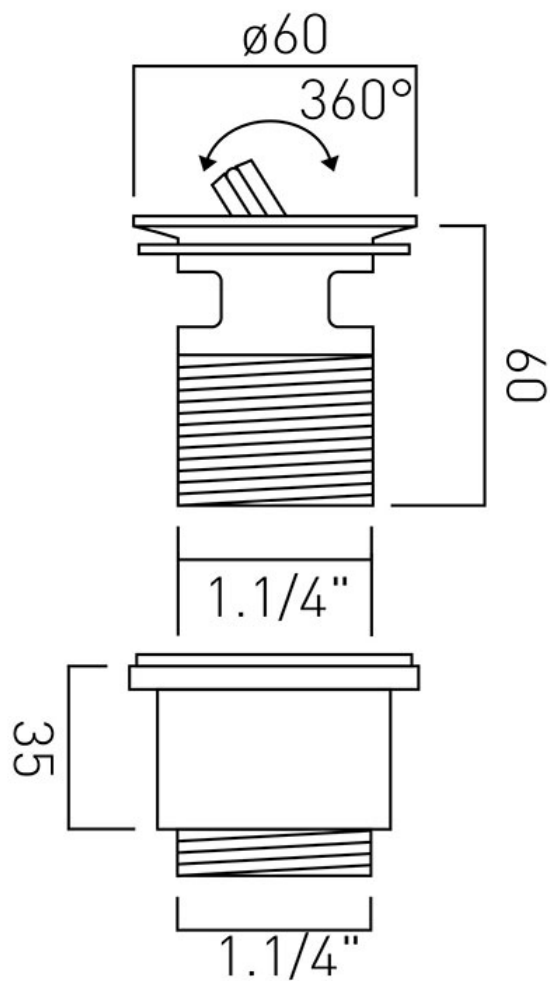
where inspiration flows
taps | showering | accessories



TECHNICAL DRAWING

COLLECTION: OTHER

PRODUCT CODE: PEX-392-S-C/P



tel: 01934 744466
email: sales@vado.com
www.vado.com

where inspiration flows
taps | showering | accessories

