

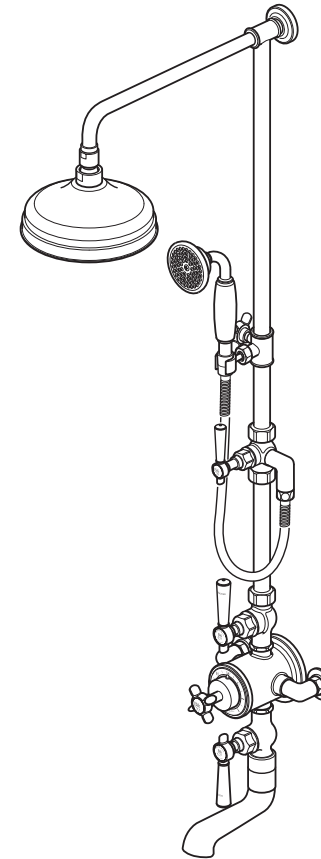


# BOOTH & Co.

ENGLAND

This instruction booklet covers model:

BC-AXB-123/RRK-CP  
BC-AXB-123/RRK-BN



VADO  
Wedmore Road, Cheddar,  
Somerset, England BS27 3EB  
tel 01934 744466  
fax 01934 744345  
www.vado.com  
sales@vado.com

Version 1, 1-5-19

AXBRIDGE

BC-AXB-123/RRK-CP  
BC-AXB-123/RRK-BN  
INSTALLATION GUIDE

BOOTH & Co.  
ENGLAND

## Important - please read

Please read these instructions carefully before starting installation and keep for future reference.

Remove all packaging and check the product for missing parts or damage before starting installation.

Any alterations made to this product and fittings may infringe water regulations and will invalidate the guarantee.

The installation must comply with all Local/National Water Supply Authority Regulations/Byelaws and Building and Plumbing Regulations.

To be installed in accordance with BS EN806.

We strongly recommend that you use a qualified and registered plumber.

## General installation

This fitting is a mixing device and therefore water supplies should be reasonably balanced.

When installed, the fitting must comply with the requirements of the Water Supply (Water Fittings) Regulations 1999 and Scottish Byelaws 2004.

For further information, contact the Water Regulations department of your local water supplier (see the WRAS website [www.wras.co.uk](http://www.wras.co.uk) for details) or the Water Regulations Advisory Scheme by email ([info@wras.co.uk](mailto:info@wras.co.uk)) or telephone: 01495848454.

Before making any inlet pipe connections, all supply pipes MUST be thoroughly flushed to remove debris. Failure to do so could result in damage or low flow from the mixer unit. Water Supply (Water Fittings) Regulations 1999 Schedule 2 Section 13.

The fitting of isolating valves to the inlet feeds is advised for ease of maintenance.

Please take great care when installing this mixer not to damage its surface.

Please note if installing in an enclosed environment, access should be left for servicing and maintenance. No costs relating to inadequate access can be accepted.

## Operating Specifications

### Operating Pressure

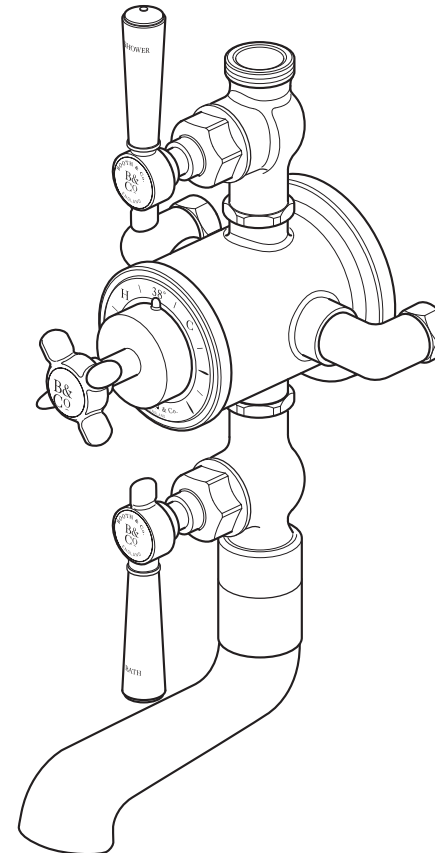
**Minimum operating pressure** 1 bar

**Maximum operating pressure** 5 bar

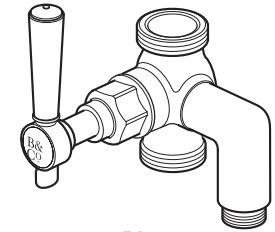
## Contents of Packaging



Installation guide &  
User manual



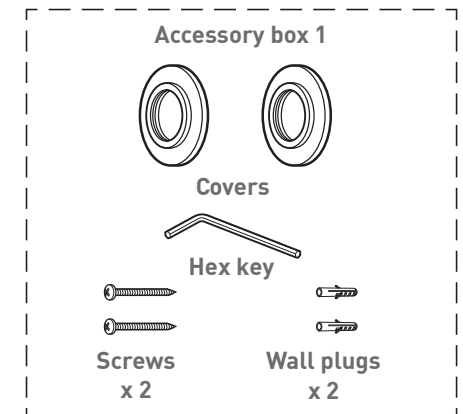
Valve



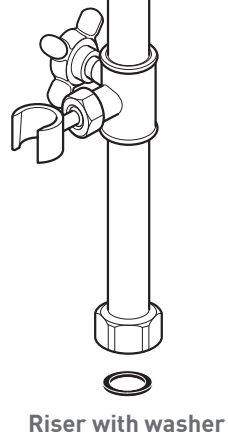
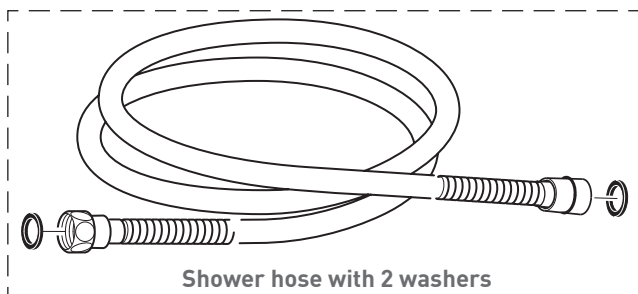
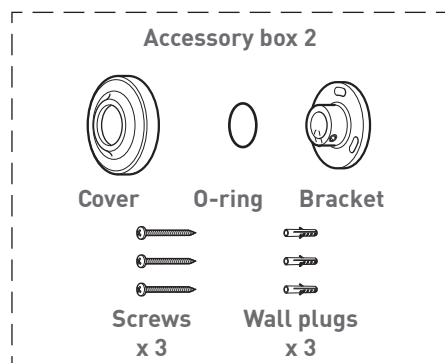
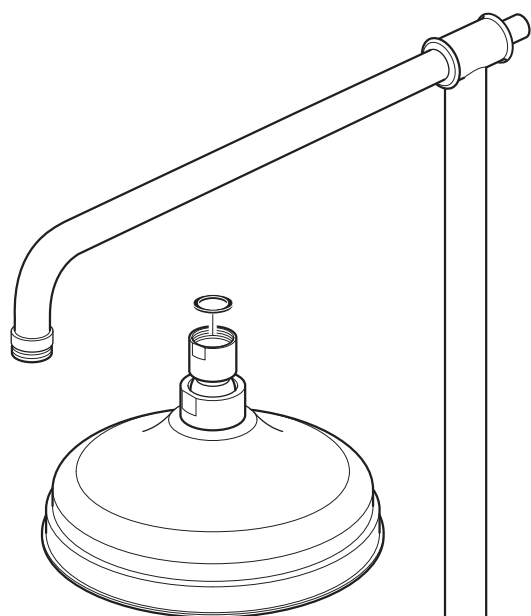
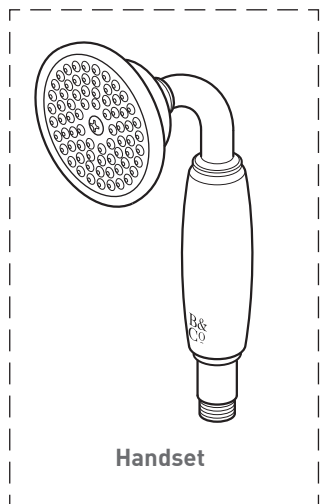
Diverter



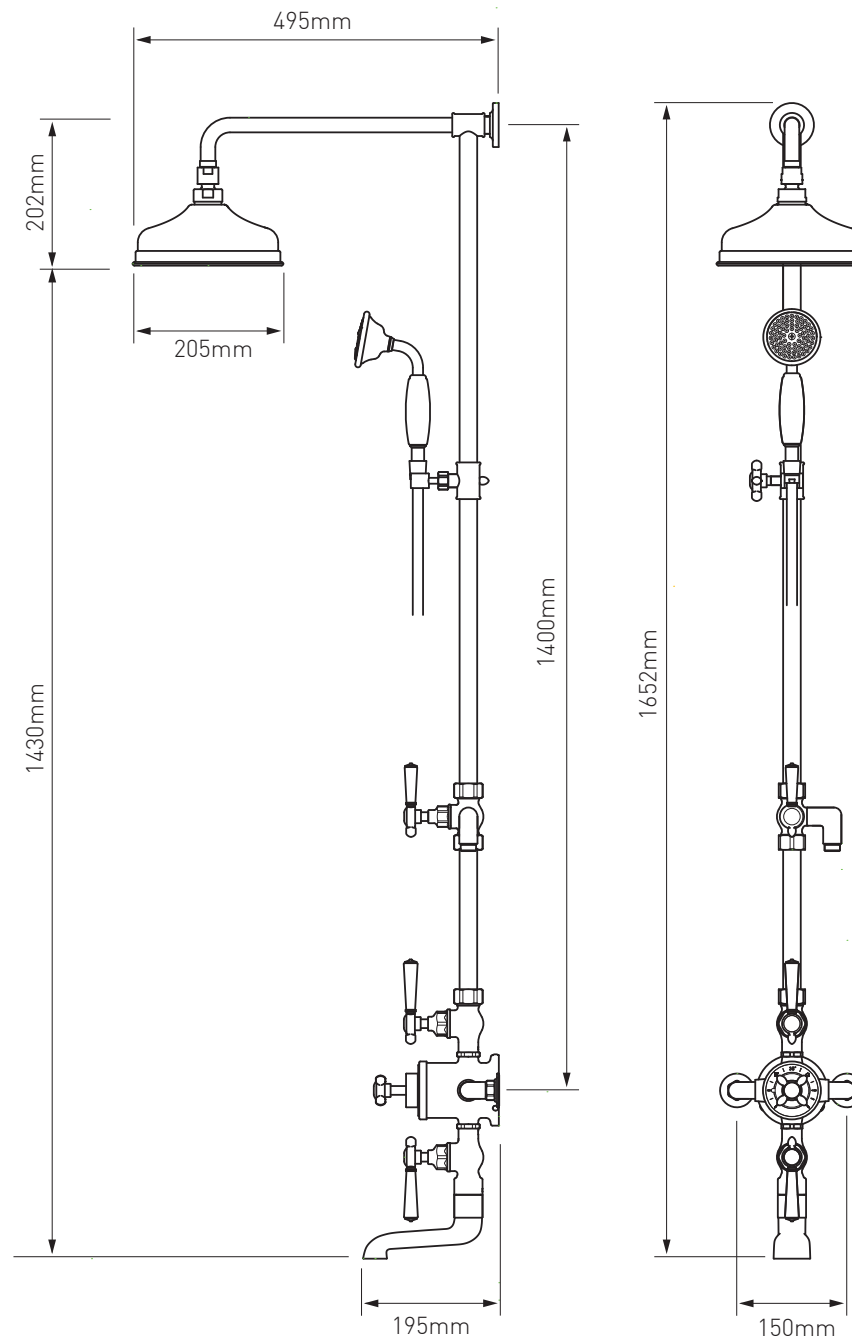
Short riser with 2 washers



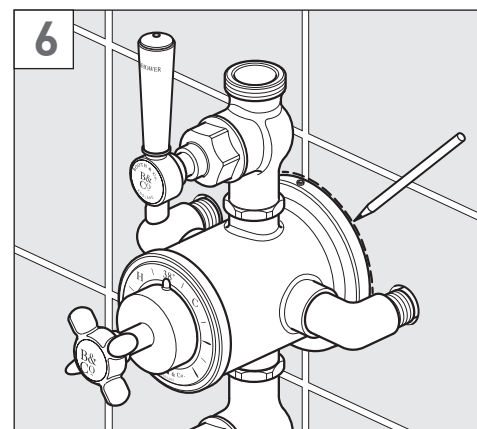
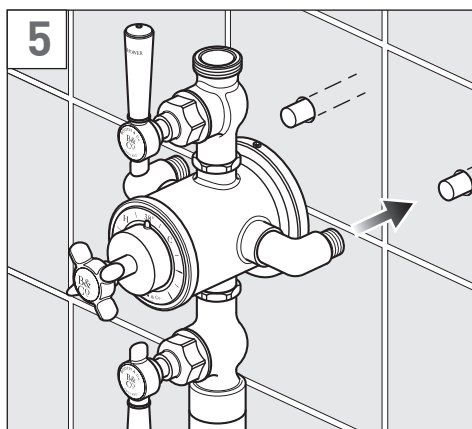
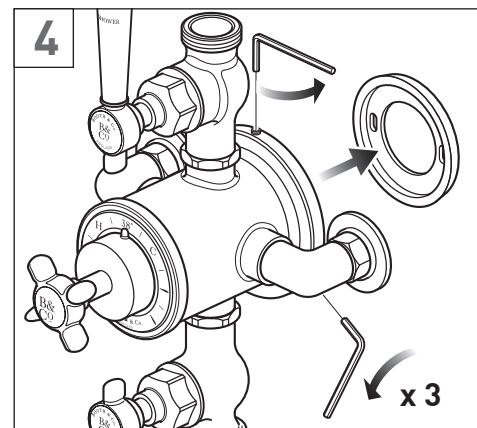
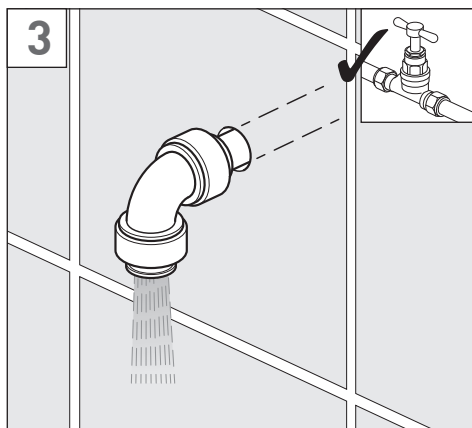
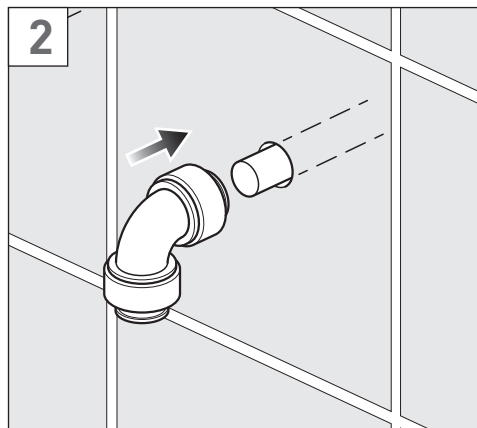
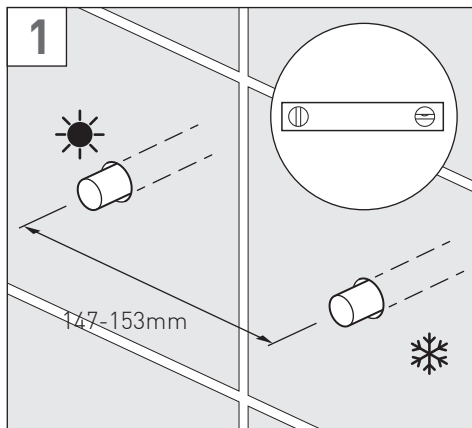
## Contents of Packaging



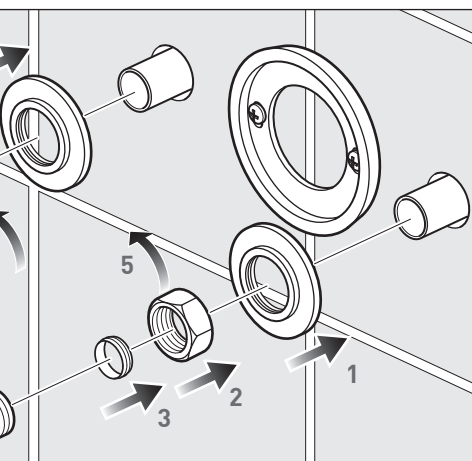
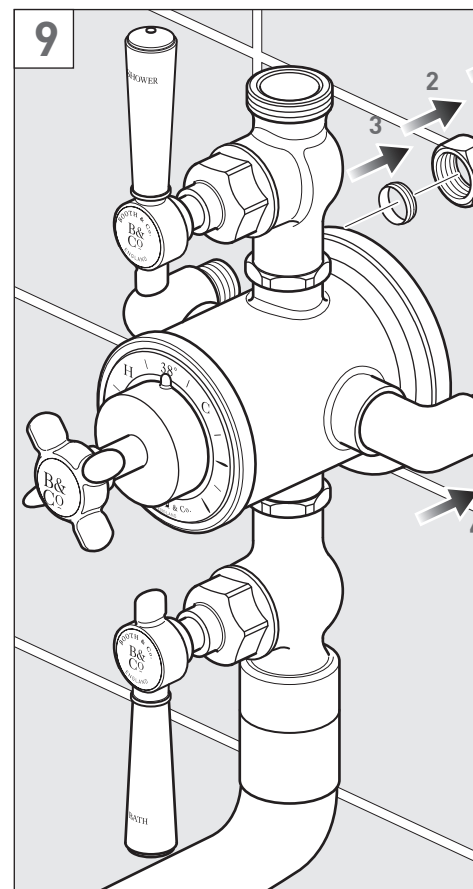
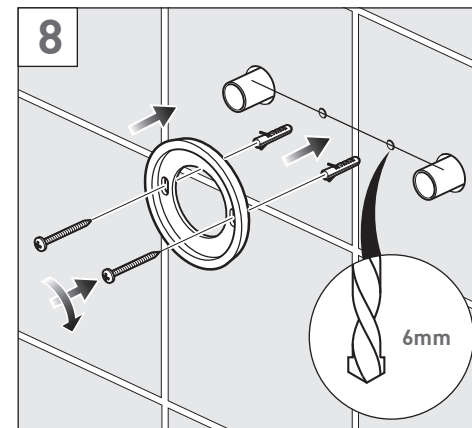
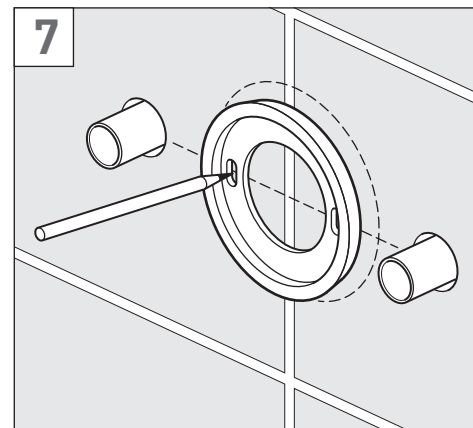
## Dimensions



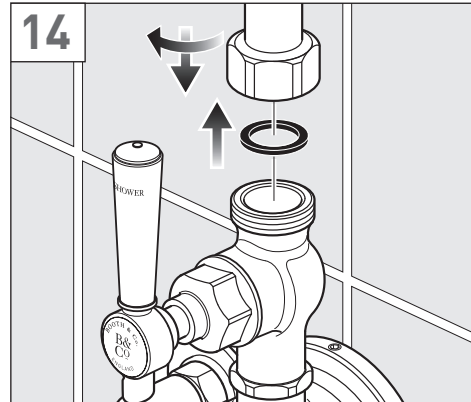
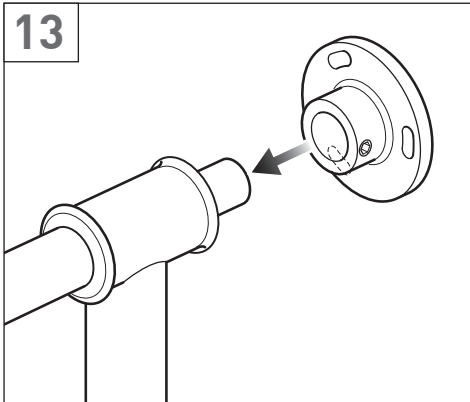
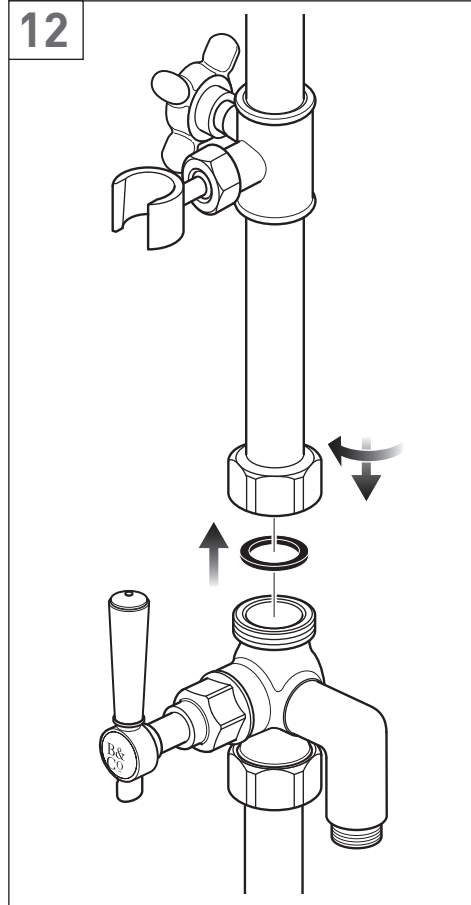
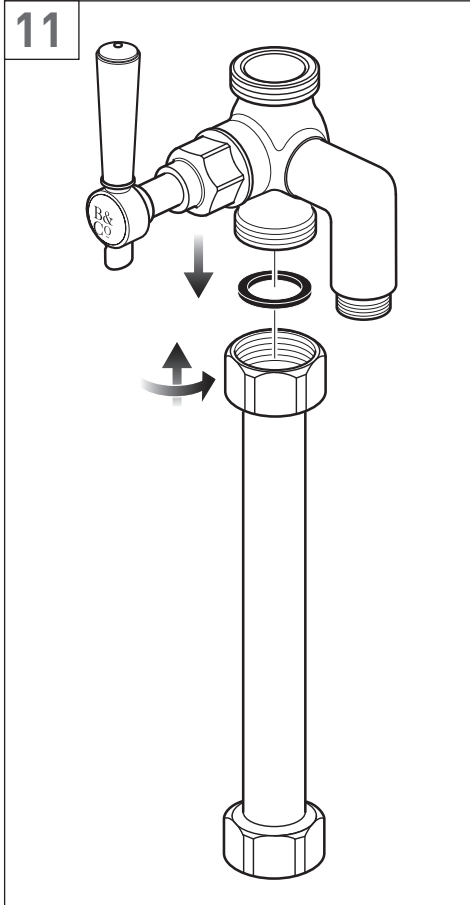
# Installation - Quick guide



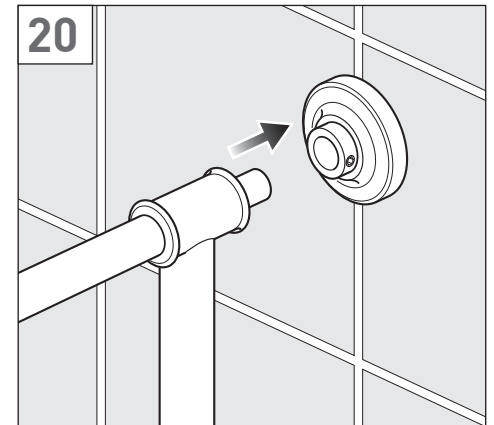
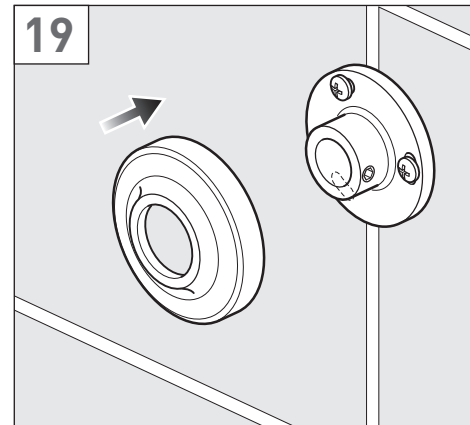
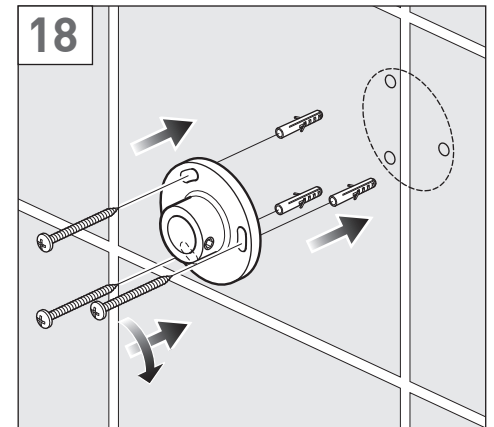
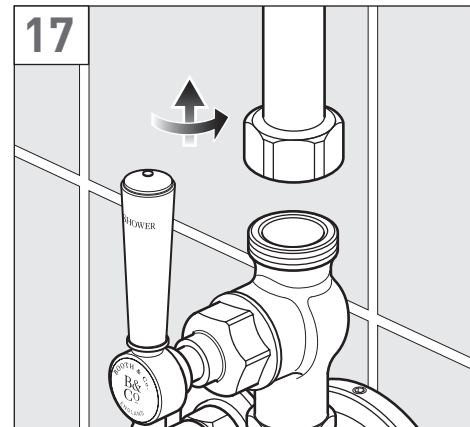
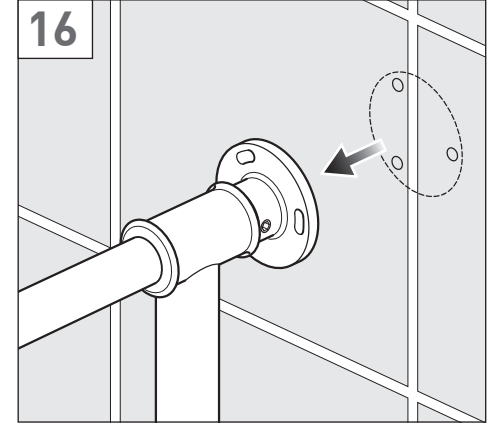
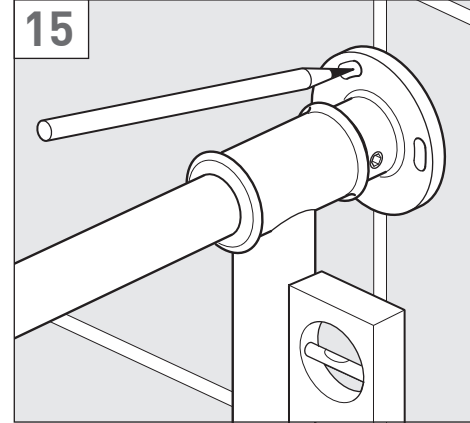
# Installation - Quick guide



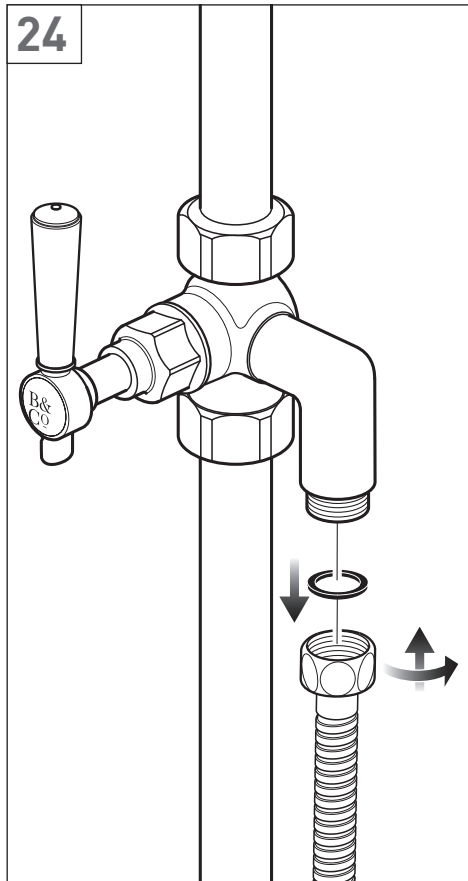
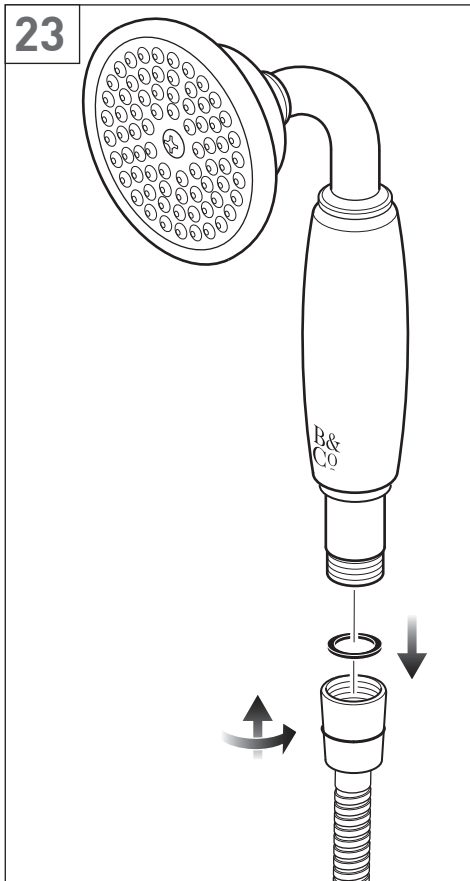
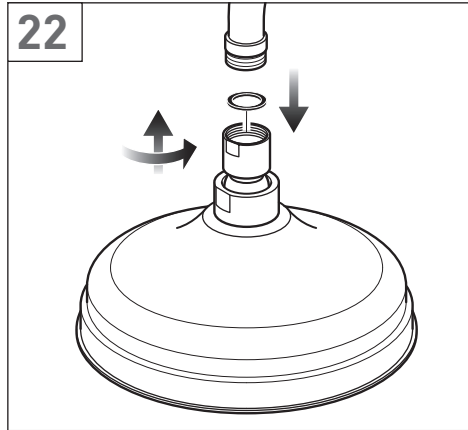
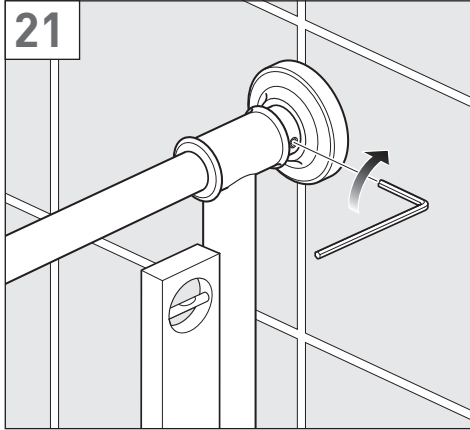
# Installation - Quick guide



# Installation - Quick guide



## Installation - Quick guide

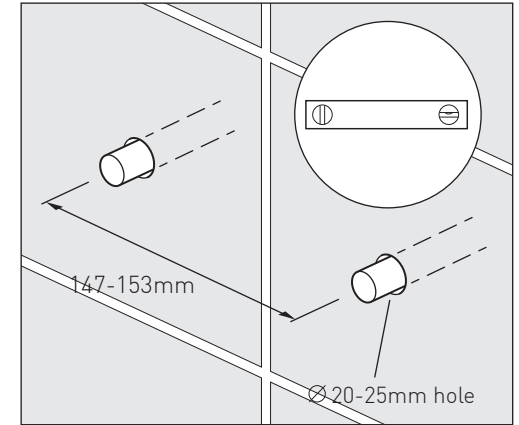


## Installation

Prepare the wall with 2 copper pipes at 147-153mm centres. Make sure the pipes are level.

Connect the water supply to the inlet pipes. The hot water should be connected to the left hand pipe and cold to the left.

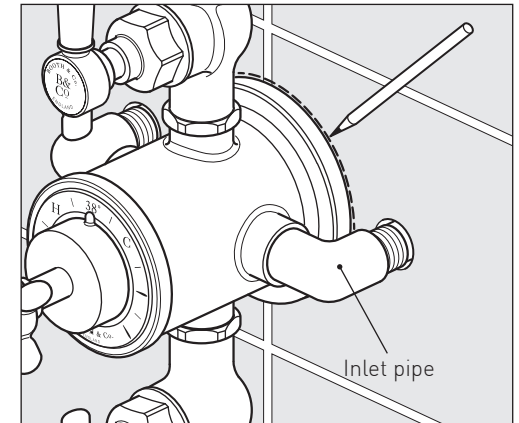
Before installing your new mixer, flush through the pipe work to ensure removal of debris, turn off the water supply. (Do not allow dirt, metal particles or shavings to block the filters fitted on inlets).



Temporarily place the valve over the copper pipes and mark the back of the body against the wall.

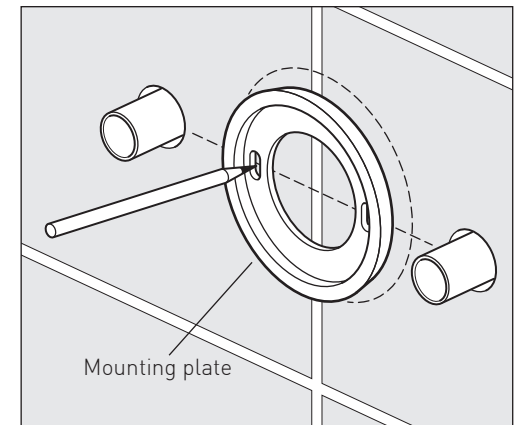
There is a small amount of adjustment on the inlet pipes to allow fitting onto the copper pipes. Screw each side in or out as required, ensuring that both sides are screwed in equally.

Remove the valve.



Remove the mounting plate from the back of the valve by releasing the three grub screws and pulling out the plate.

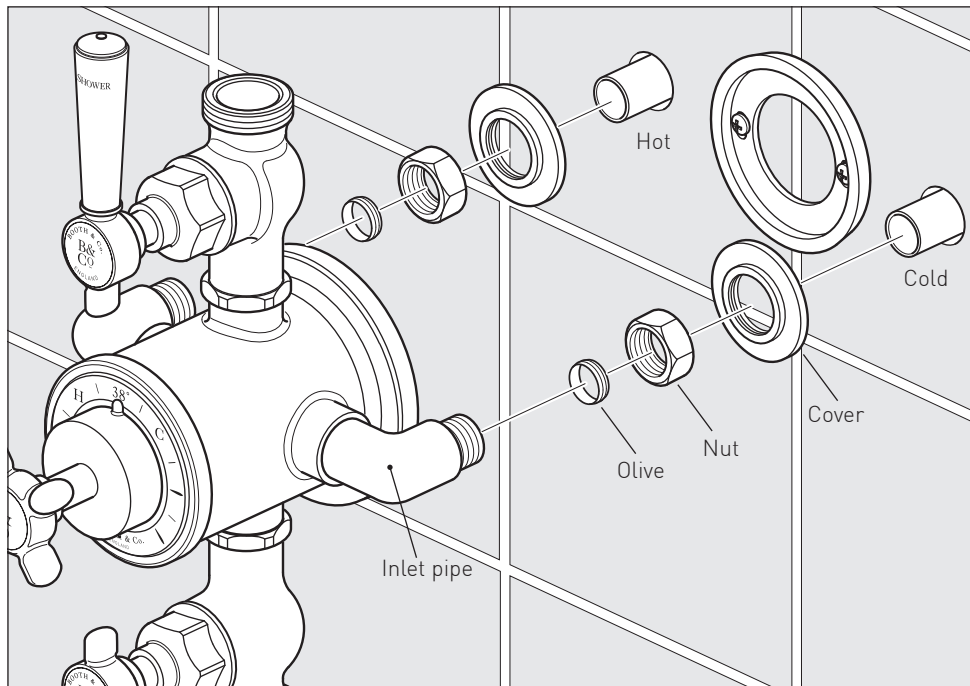
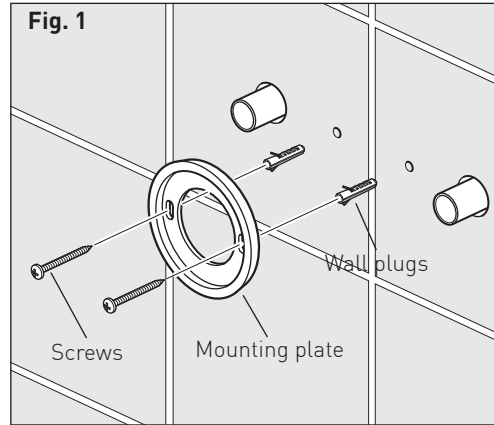
Place the mounting plate in the centre of the marked position and mark the two fixing holes.



# Installation

Drill the marked holes to a suitable depth for the wall plugs and secure with supplied screws.

If you are fitting the valve to a partition wall or a wall of particularly soft substrate you will need specialist fixings.



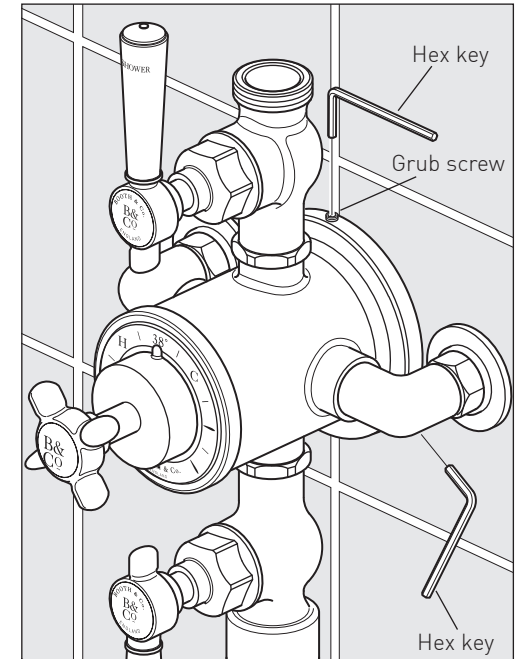
During and after installation protect the outer parts of the valve to avoid damage to plated surfaces.

Place the covers over the copper pipes, followed by the nuts and the olives.

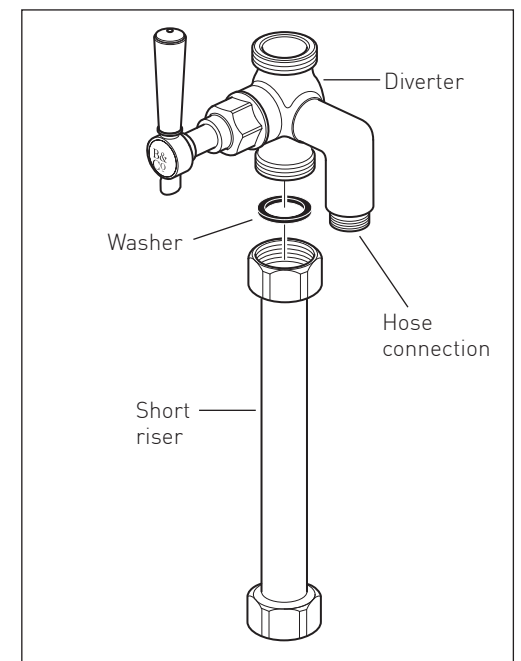
Push the valve onto the copper pipes and the mounting plate, tighten both the nuts onto the inlets being careful not to damage the plated surface.

# Installation

Secure the valve into position by tightening the three grub screws, one at 12 o'clock and the other two at 4 o'clock and 8 o'clock.



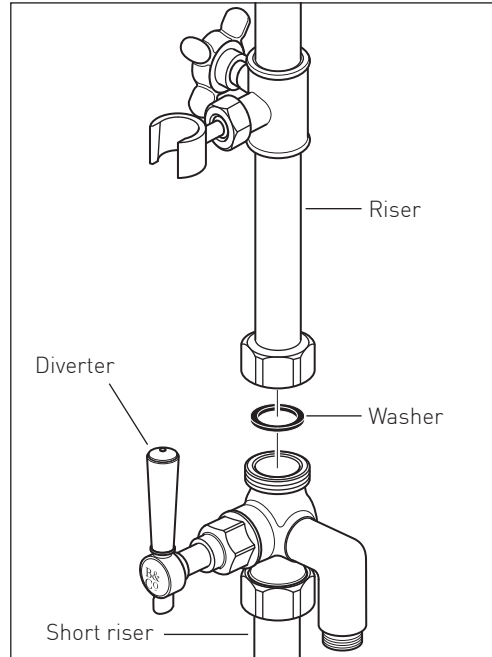
Place the washer into the nut and screw the short riser to the diverter and tighten being careful not to damage the chrome surface.





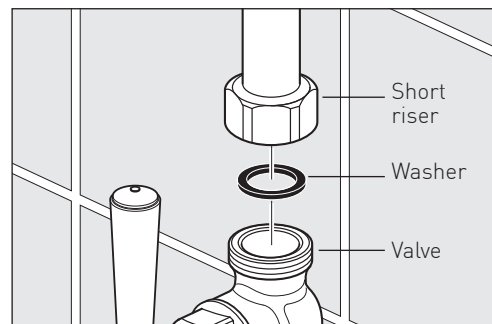
## Installation

Place the washer into the nut and screw the top riser to the diverter and tighten being careful not to damage the chrome surface.

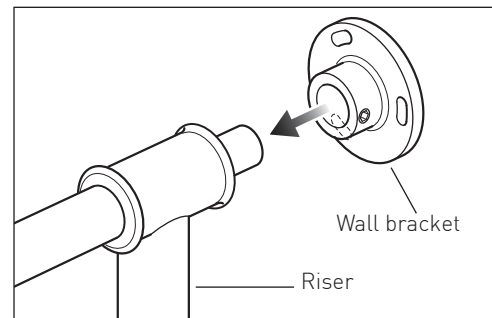


Place the washer into the nut on the bottom of the short riser and screw onto the valve.

**Do not over tighten.**

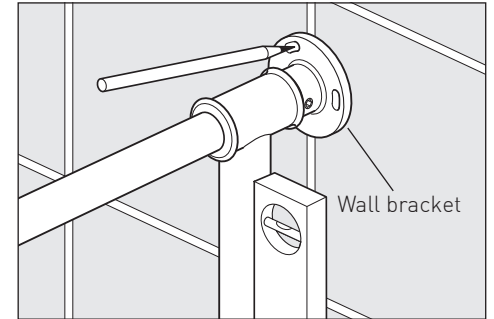


Slide the wall bracket onto the riser and place against the wall.



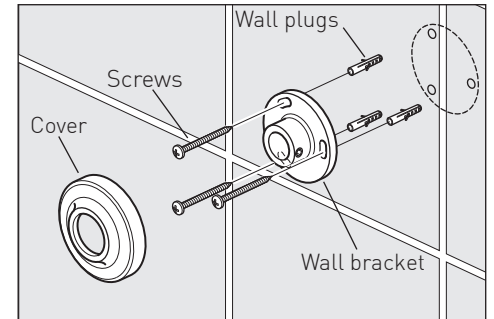
## Installation

Make sure that the riser is vertical and mark the 3 fixing holes in the wall bracket with a pencil.



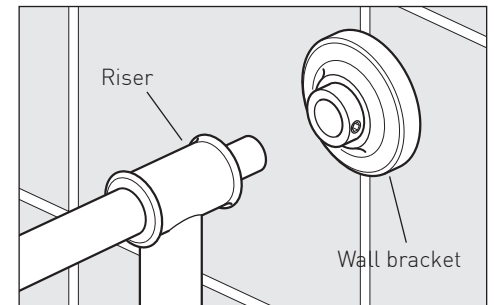
**Warning!** Please check for any hidden cables and pipes before drilling holes in the wall. Drill the marked holes to a suitable depth for the wall plugs and secure with supplied screws.

Slide on the cover.



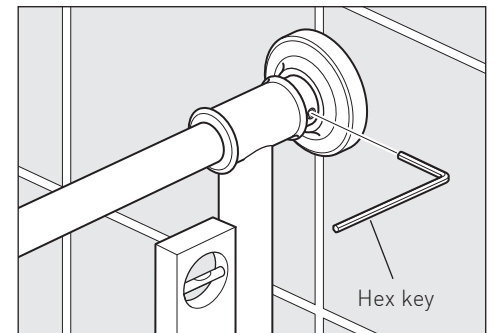
Replace the riser onto the valve.

Slide the riser into the wall bracket.



Make sure that the riser is vertical and secure in position using the grub screw on the side of the wall bracket.

Finally tighten the nut to secure the riser to the valve.

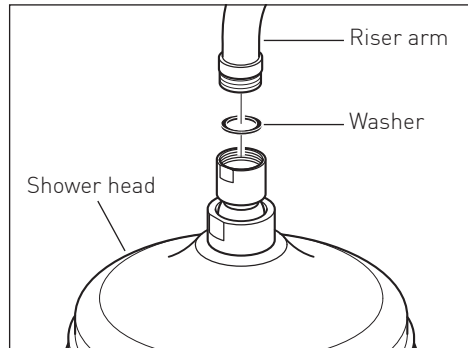




# Installation

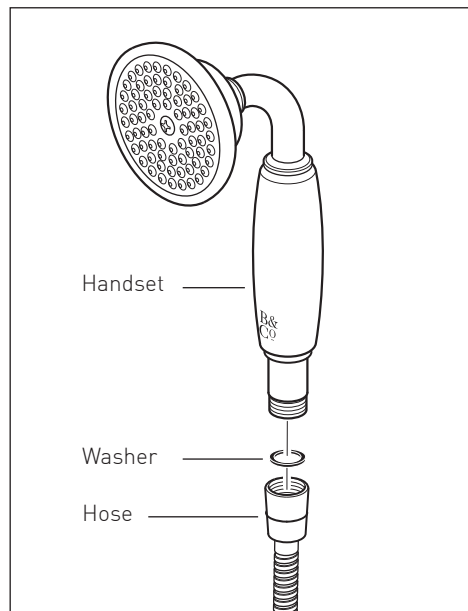
## Shower head

Make sure there is a rubber washer in place in the shower head and screw onto the riser arm.



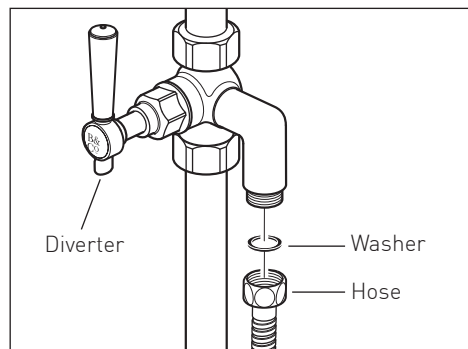
## Handset

Place one of the rubber washer into the cone end of the hose and screw to the handset.



## Valve

Place the second rubber washer into the nut end of the hose and attach it to the diverter outlet.



# Commissioning

The valve has been factory set under balanced pressures and hot supply at 65°C. When your specific operating conditions are significantly different from the above, the temperature of the delivered water may vary from the setting.

When the difference is too great, you can adjust the calibration of the valve to suit individual requirements of the installation.

**Note:** mixed water temperature at the terminal fitting should not exceed 46°C.

With the temperature handle fitted and the temperature indicator located at 12 o'clock, check the temperature of the water being delivered from the outlet with a thermometer.

**Note:** temperature readings should be taken at normal flow rate after allowing the system to stabilise.

If the temperature is not 38°C proceed to commission the valve as follows.

Carefully prise out the ceramic screw cover with a suitable flat tool, remove the screw and washers and pull off the handle, shroud and spacer ring (**fig 1**).

Ensure the step on the stop ring is as pictured (**fig 2**).

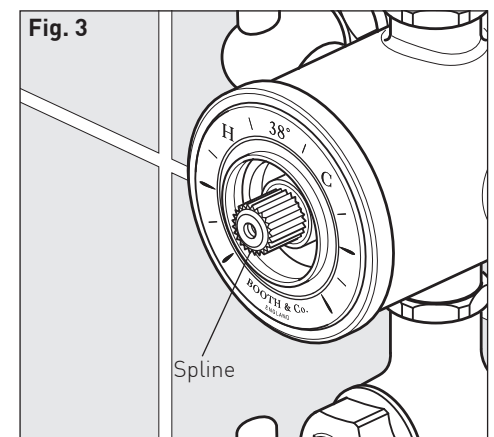
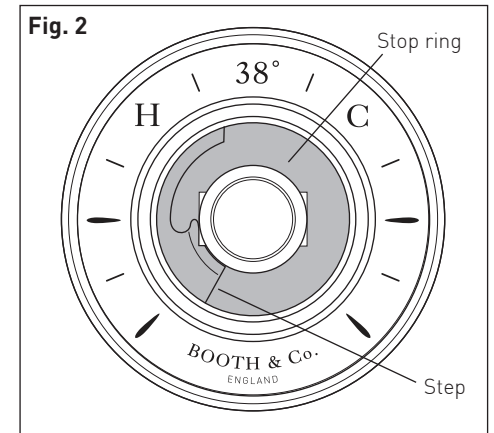
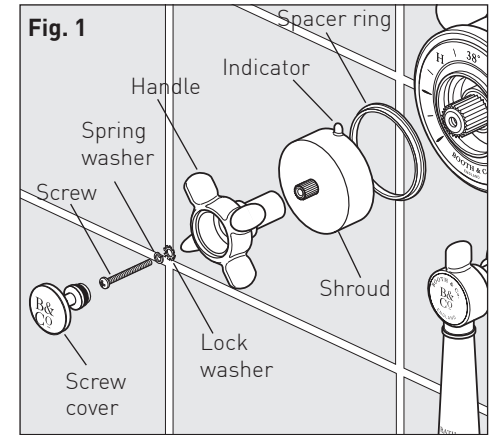
Rotate the spline of the thermostatic cartridge clockwise to decrease and anti-clockwise to increase the temperature until 38°C is achieved at the outlet (**fig 3**).

**Note:** the sensing part of the thermometer probe must be fully submerged in the water that is to be tested.

Carefully replace the spacer ring, shroud and temperature handle with the temperature indicator located at 12 o'clock without turning the spline of the thermostatic cartridge.

Screw the temperature handle in place using the washers and screw, replace the screw cover.

Ensure the water temperature does not exceed 46°C when turned entirely anti-clockwise.



# Maintenance

We advise that the below is carried out annually as failure to do so may result in invalidation of warranty.

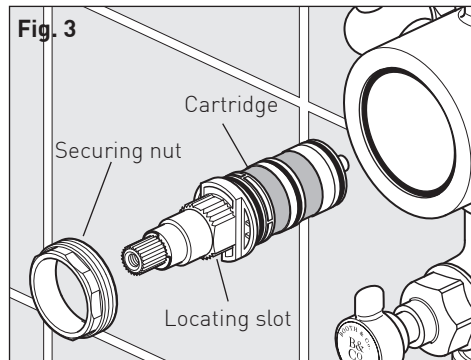
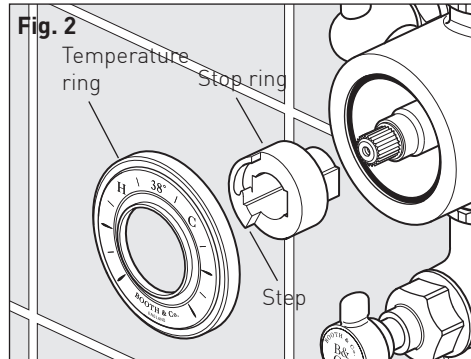
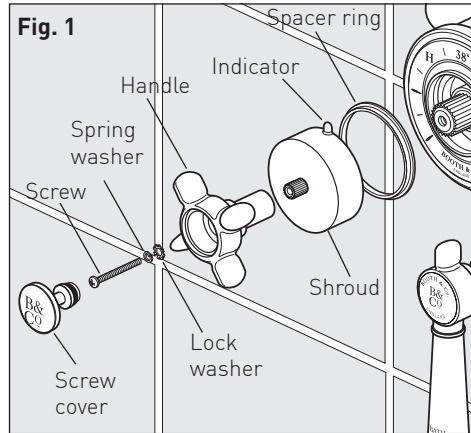
Shut off the water supply to both hot and cold inlets, before commencing any maintenance work below.

## Thermostatic cartridge

To clean the filters, you must first remove the cartridge from the housing.

### Removing the Cartridge

1. Shut off the water supply to both inlets. Ensure the thermostatic valve has been successfully isolated.
  2. Using a suitably flat tool remove the screw cover, unscrew and remove the temperature handle and pull off the shroud and spacer ring (**fig 1**). Remove the ceramic/chrome temperature ring allowing access to the valve (**fig 2**).
  3. Using pliers if required gently remove temperature stop ring (essential) (**fig 2**).
  4. Turn shower on to check isolation, please ensure that your body/hands are not under the flow of water as there is a potential for delivery of hot water.
  5. Using a 32mm box spanner unscrew and remove the valve securing nut then carefully pull out the thermostatic cartridge (**fig 3**).
- Note:** Ensure care is taken as a small amount of residual water may escape when removing the cartridge.



# Maintenance

6. Clean the cartridge filters by rinsing them under running water to remove any debris.

7. If there is limescale deposits then it is recommended to immerse the cartridge for a few minutes in 50% white vinegar + 50% hot water, brush the filters gently and then rinse under running water to clean all particles. If this is not effective, a replacement cartridge should be fitted.

8. Before reassembling the cartridge, clean its housing with a wet cloth and grease the O-rings using a suitable silicone grease. Insert the thermostatic cartridge into the body aligning the slot in the body with the grub screw (**fig 4**).

9. Screw the securing nut on and tighten using a box spanner, careful not to overtighten.

10. Replace the temperature stop ring on the cartridge with the cold step located at 7 o'clock (**fig 5**).

11. Turn the water supply on.

12. Check the water temperature to ensure correct commissioning. See previous section.

13. Replace the ceramic/chrome temperature ring, spacer ring and shroud with the temperature indicator located at 12 o'clock without turning the spline of the thermostatic cartridge.

Screw the temperature handle in place using the washers and screw, replace the screw cover.

