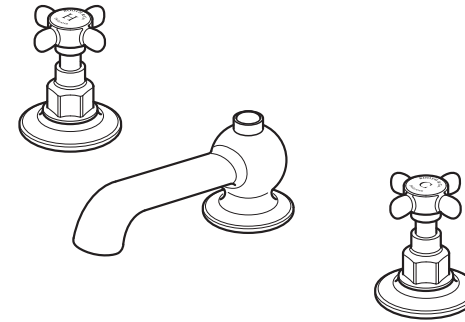




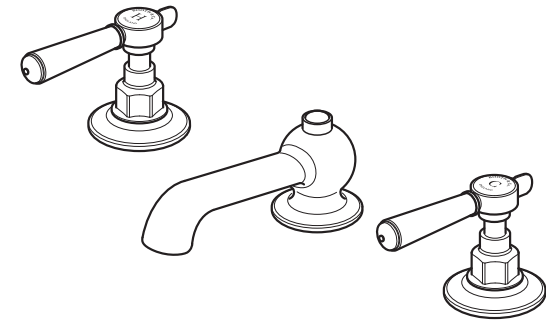
# BOOTH & Co.

ENGLAND



This instruction booklet covers model:

- BC-AXB-101-CP
- BC-AXB-101-BN
- BC-AXB-201-CP
- BC-AXB-201-BN



VADO  
Wedmore Road, Cheddar,  
Somerset, England BS27 3EB  
tel 01934 744466  
fax 01934 744345  
www.vado.com  
sales@vado.com

Version 1, 1-5-19

## AXBRIDGE

BC-AXB-101-CP, BC-AXB-101-BN  
BC-AXB-201-CP, BC-AXB-201-BN  
INSTALLATION GUIDE

BOOTH & Co.  
ENGLAND

## Important - please read

Please read these instructions carefully before starting installation and keep for future reference.

Remove all packaging and check the product for missing parts or damage before starting installation.

Any alterations made to this product and fittings may infringe water regulations and will invalidate the guarantee.

The installation must comply with all Local/National Water Supply Authority Regulations/Byelaws and Building and Plumbing Regulations.  
To be installed in accordance with BS EN806.

We strongly recommend that you use a qualified and registered plumber.

## General installation

This fitting is a mixing device and therefore water supplies should be reasonably balanced.

When installed, the fitting must comply with the requirements of the Water Supply (Water Fittings) Regulations 1999 and Scottish Byelaws 2004.

For further information, contact the Water Regulations department of your local water supplier (see the WRAS website [www.wras.co.uk](http://www.wras.co.uk) for details) or the Water Regulations Advisory Scheme by email ([info@wras.co.uk](mailto:info@wras.co.uk)) or telephone: 01495848454.

Before making any inlet pipe connections, all supply pipes MUST be thoroughly flushed to remove debris. Failure to do so could result in damage or low flow from the mixer unit. Water Supply (Water Fittings) Regulations 1999 Schedule 2 Section 13.

The fitting of isolating valves to the inlet feeds is advised for ease of maintenance.

Please take great care when installing this mixer not to damage its surface.

Please note if installing in an enclosed environment, access should be left for servicing and maintenance. No costs relating to inadequate access can be accepted.

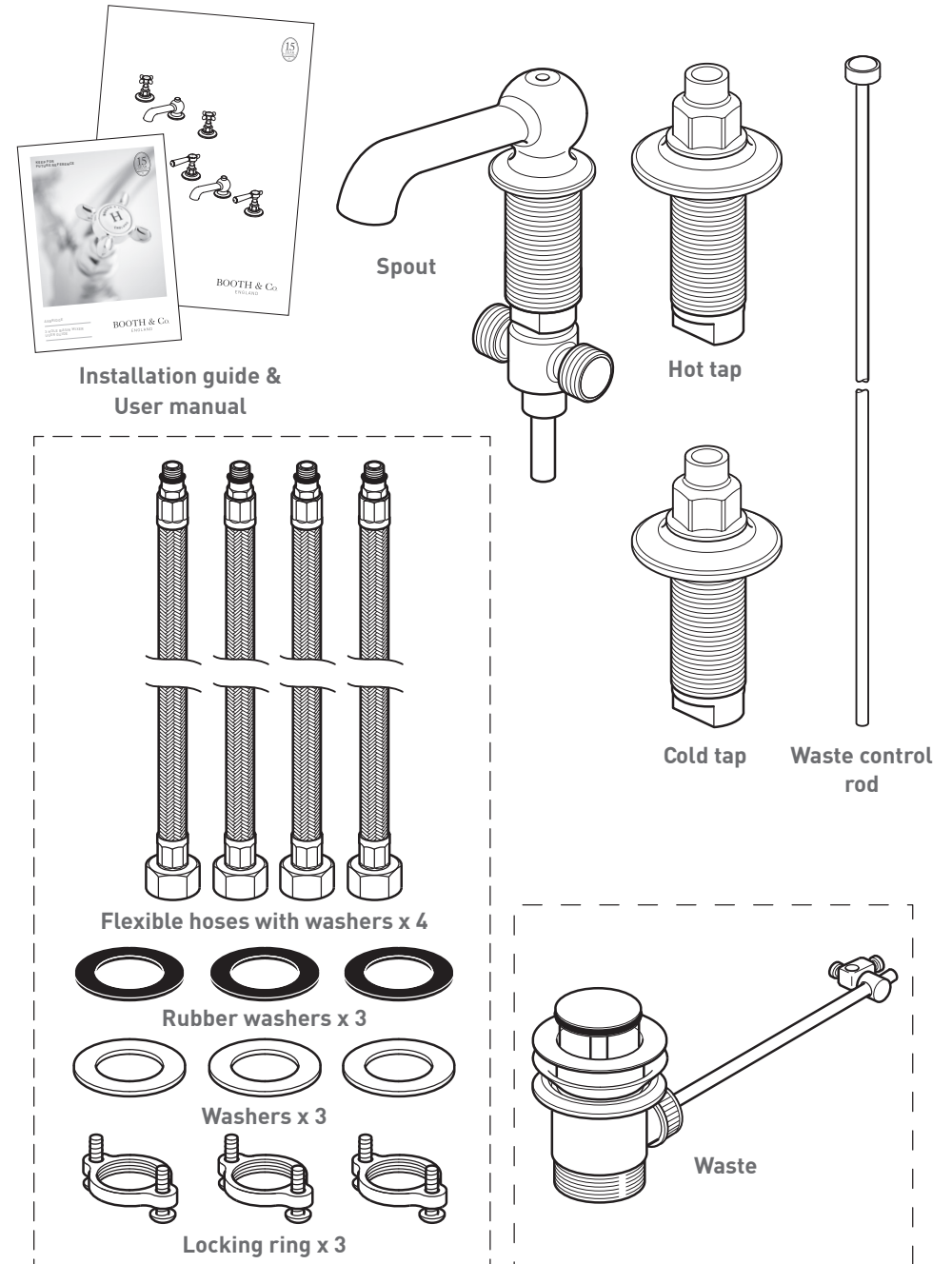
## Operating Specifications

### Operating Pressure

**Minimum operating pressure** 0.2 bar

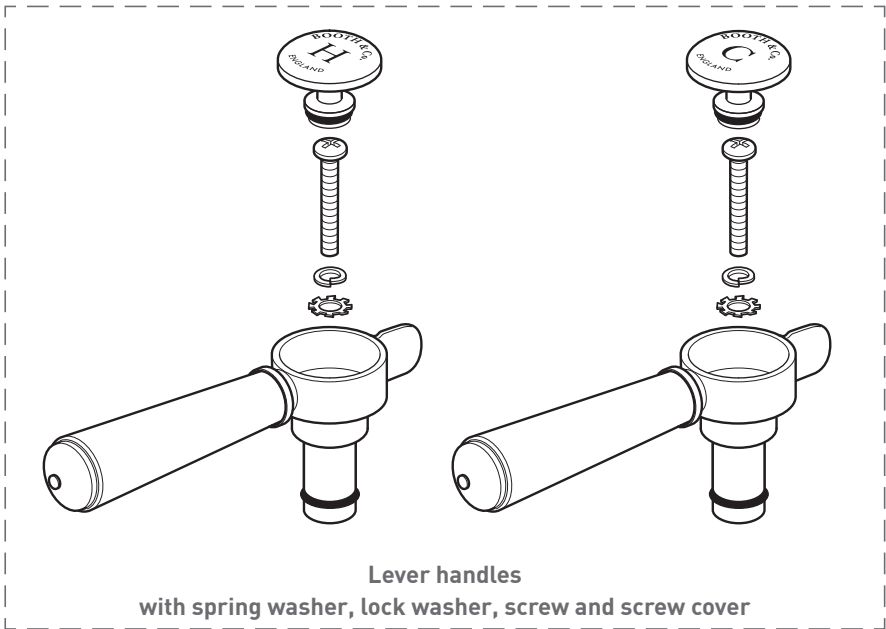
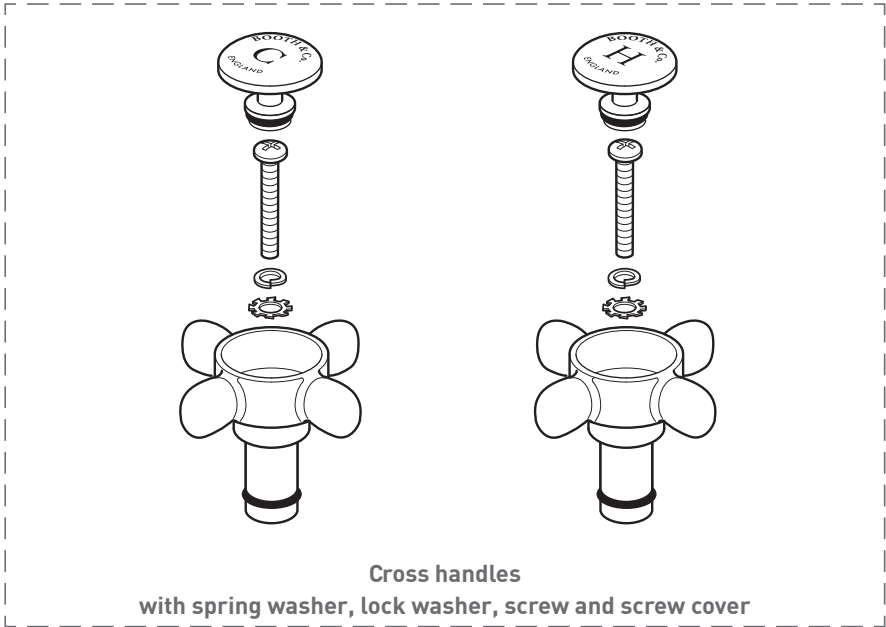
**Maximum operating pressure** 5 bar

## Contents of Packaging

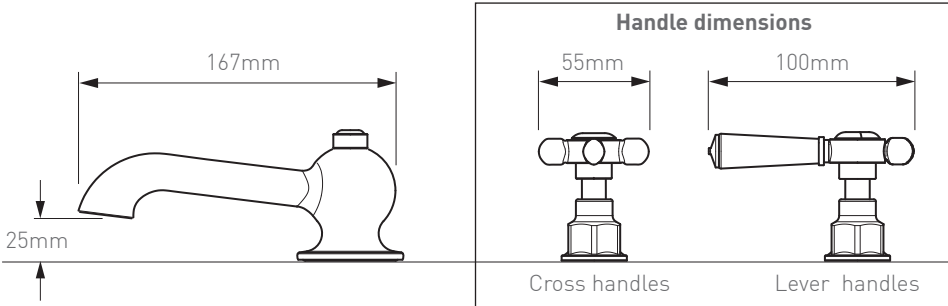
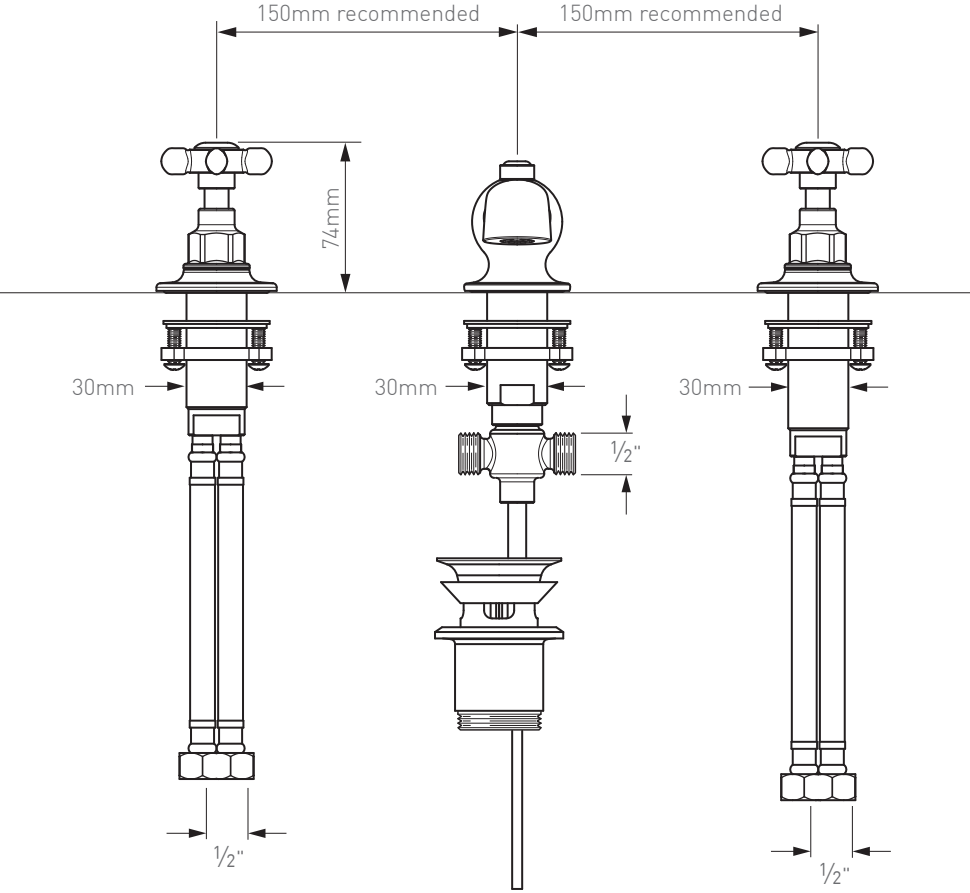


# Contents of Packaging - handle options

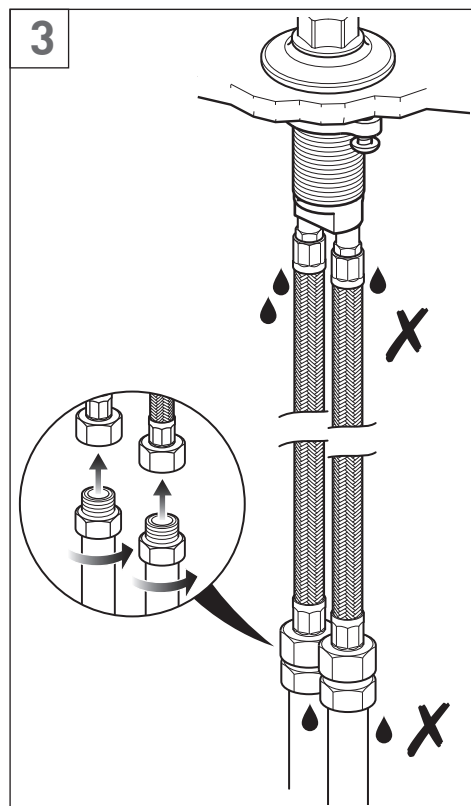
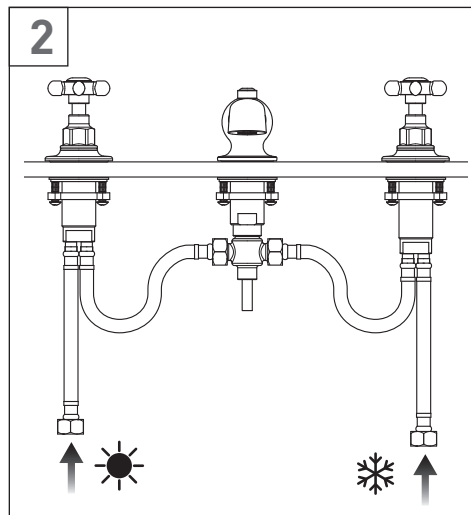
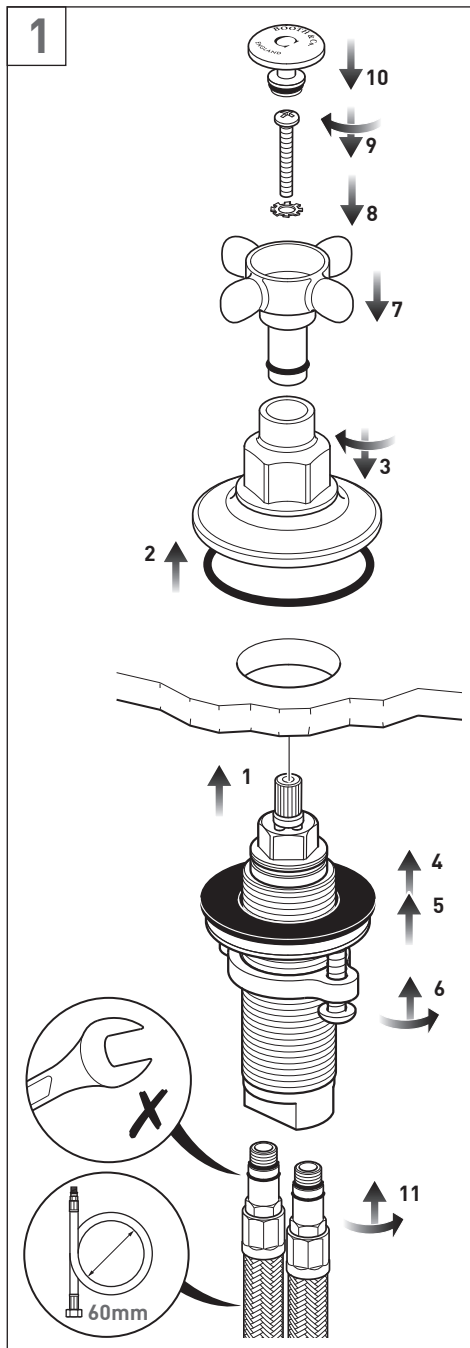
## Cross handle option OR Lever handle option



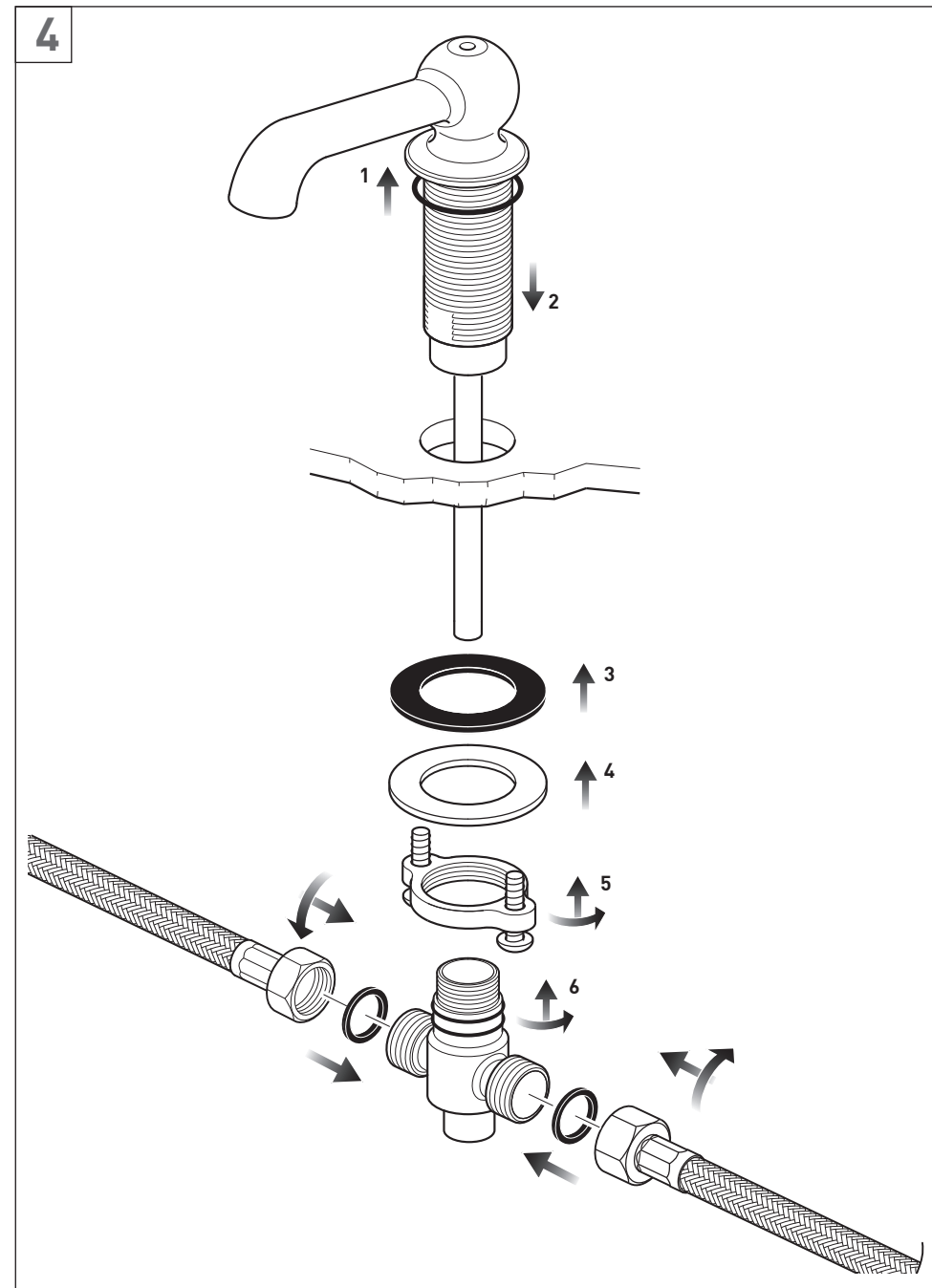
# Dimensions



# Installation - Quick guide

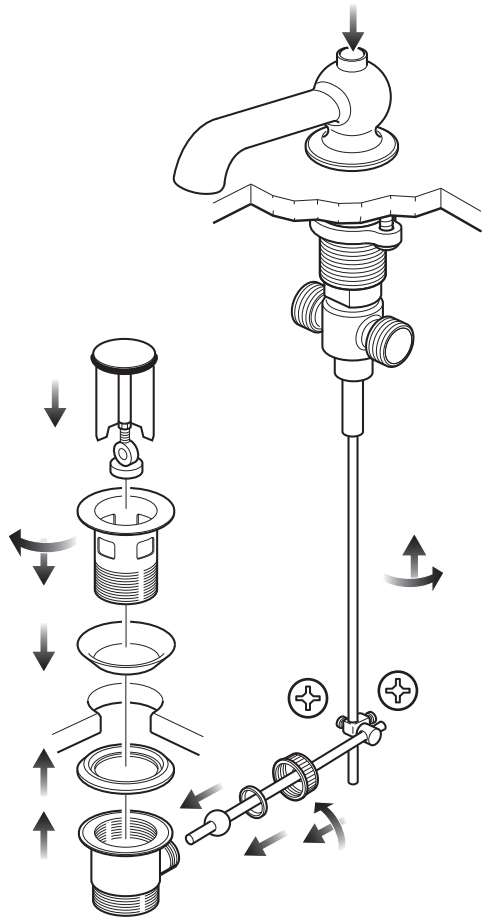


# Installation - Quick guide

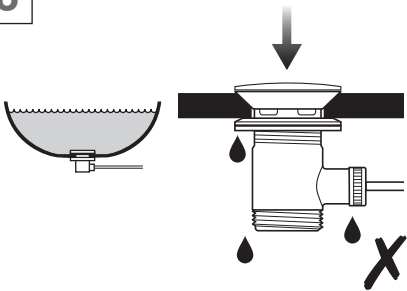


## Installation - Quick guide

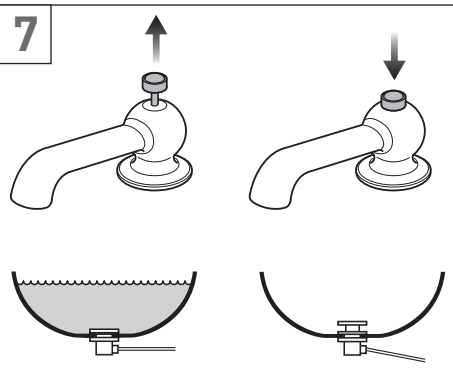
5



6



7



## Installation - mixer

Before installing, flush through the pipe work to ensure removal of debris, turn off the water supply.

The hot tap should be on the left and cold on the right.

Remove the cover from the valve, make sure the O-ring is in place in the underside of the cover.

Screw the locking ring onto the valve make sure that the bolts are facing upwards. Slide on the metal washer followed by the rubber washer.

From the underside of the basin position the valve in place, screw on the cover and hand tighten.

Make sure the two bolts in the locking ring are unscrewed, but do not remove. Slide up the rubber and metal washer, the rubber washer should be on top.

Screw up the locking ring until the bolts touch the metal washer. Tighten the two bolts to clamp the mixer to the basin.

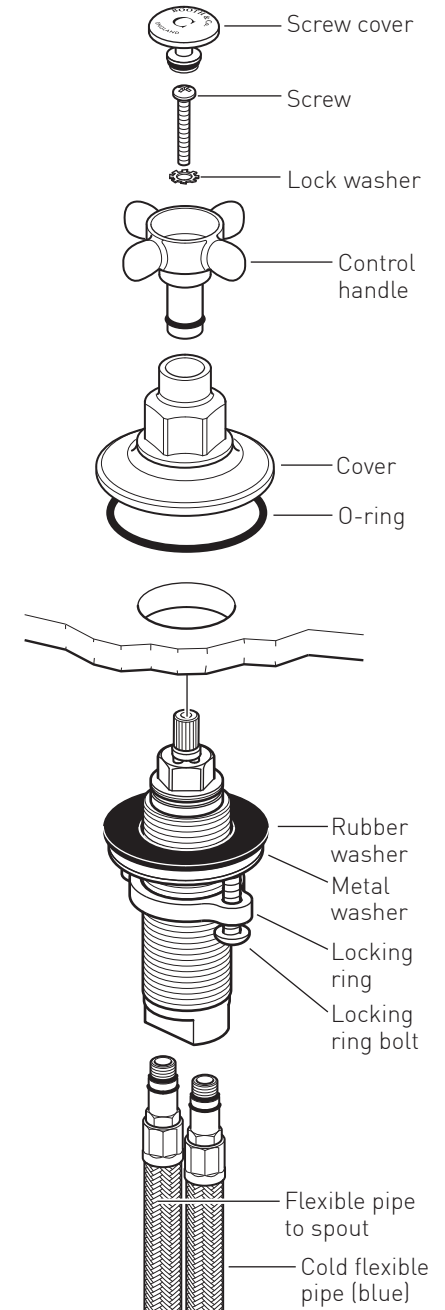
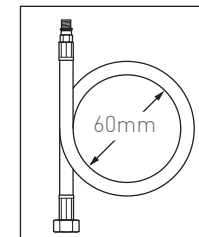
**CAUTION:** Do not over tighten the bolts as this may damage the basin.

With the valve in the off position (fully anti-clockwise for hot and clockwise for cold) carefully slide the control handle onto the splines of the valve make sure the handle is pointing in the correct direction. Secure with the lock washer and screw. Push on the screw cover.

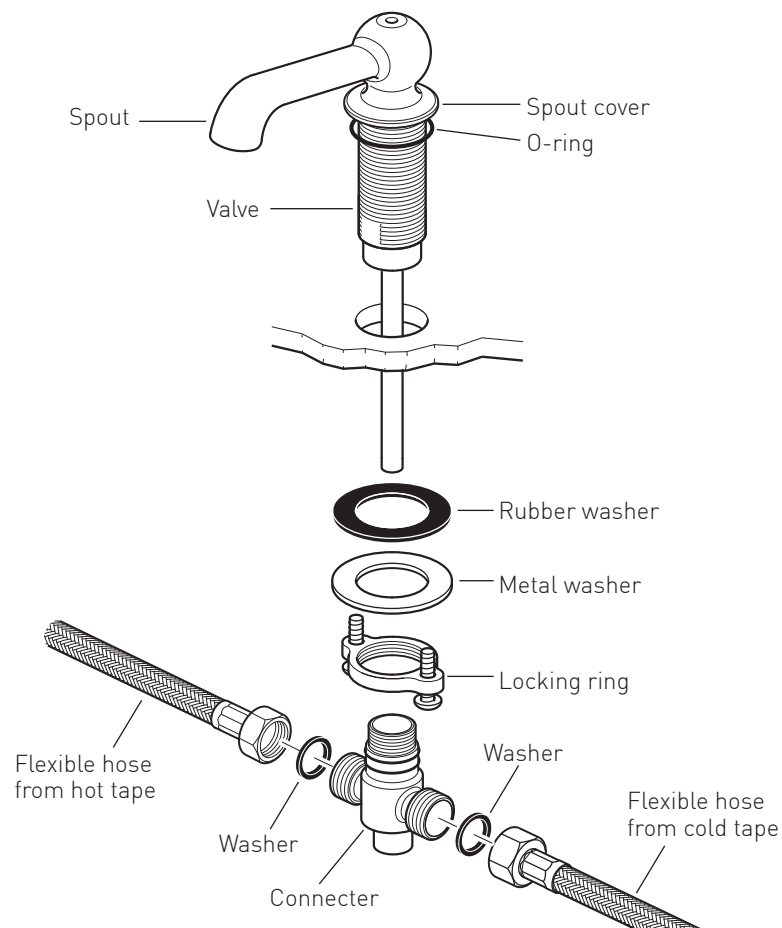
Screw the two flexible pipes into the two holes in the base of the mixer body.

Connect the water supply.

**CAUTION:** When installing the flexible hoses **do not** kink, or bend them more than the 60mm diameter as shown right.



## Installation - spout



Make sure the O-ring is in place in the underside of the spout cover.

Position the the spout/valve down into the basin.

From the underside slide on the rubber and metal washer, the rubber washer should be on top.

Make sure the two bolts in the locking ring are uncrewed, but do not remove. Screw up the locking ring until the bolts touch the metal washer. Tighten the two bolts to clamp the mixer to the basin.

**CAUTION:** Do not over tighten the bolts as this may damage the basin.

Screw the connector onto the bottom of the valve, take care not to damage the o-rings.

Place a washer into each nut in the flexible pipe. Screw the two flexible pipes coming from the each tap into the inlets.

## Installation - Pop-up waste

Disassemble the pop-up waste and reassemble onto the basin .

Insert the waste control rod down through the hole in the top of the spout body.

Place the short end of the horizontal control Slide the bearing over control rod making sure that the chamfer is against the ball, Screw on the ball joint retainer. Do not over tighten.

Slide the control rod link onto the vertical and horizontal control rods and loosely tighten.

Test the action of the pop-up waste and fully tighten the rod link. Adjust the control rod link as required. Adjust the height of the plug as required.

Turn on the water supply and turn the mixer on fully to flush through any possible debris from the mixer. Finally check all new connections for leaks.

