

# SPECIFICATION SHEET

**COLLECTION:** EKKO

**PRODUCT CODE:** AX-EKO-100-CP



## DESCRIPTION:

mono basin mixer  
single lever  
deck mounted  
with pop-up waste  
with Neoperl dual core aerator  
ceramic cartridge W-004-N35  
2 x 1/2" nut x 400mm flexipipe connections  
deck mount drill hole diameter 32mm  
minimum operating pressure 0.2 bar LP

## FINISH:

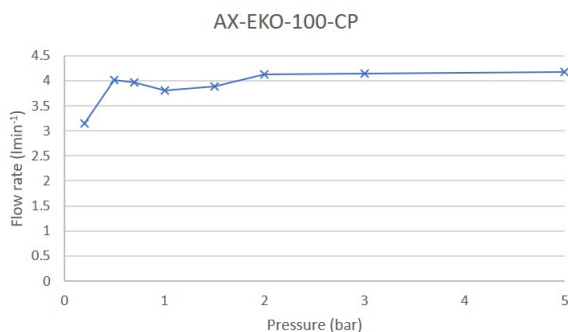
Chrome

## MINIMUM OPERATING PRESSURE:

0.2 bar LP

## FLOW RATE AT 3.0 BAR FLOW PRESSURE:

5.1 l/m



tel: 01934 744466  
email: sales@vado.com  
www.vado.com

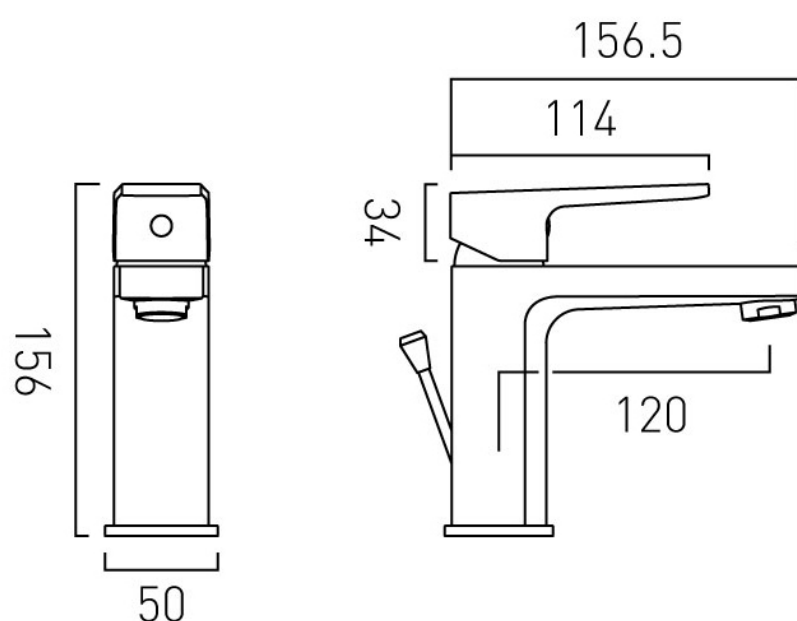
**where inspiration flows**  
taps | showering | accessories



# TECHNICAL DRAWING

**COLLECTION:** EKKO

**PRODUCT CODE:** AX-EKO-100-CP



tel: 01934 744466  
email: sales@vado.com  
www.vado.com

**where inspiration flows**  
taps | showering | accessories

