

SPECIFICATION SHEET

COLLECTION: EKKO

PRODUCT CODE: AX-EKO-100M/CC-CP



DESCRIPTION:

mini mono basin mixer
single lever
deck mounted
smooth bodied
with push basin waste
with Neoperl dual core aerator
ceramic cartridge W-004-N35
2 x 1/2" nut x 400mm flexipipe connections
deck mount drill hole diameter 32mm
minimum operating pressure 0.2 bar LP

FINISH:

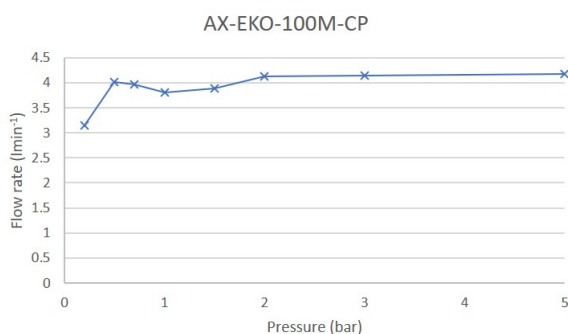
Chrome

MINIMUM OPERATING PRESSURE:

0.2 bar LP

FLOW RATE AT 3.0 BAR FLOW PRESSURE:

5.1



tel: 01934 744466
email: sales@vado.com
www.vado.com

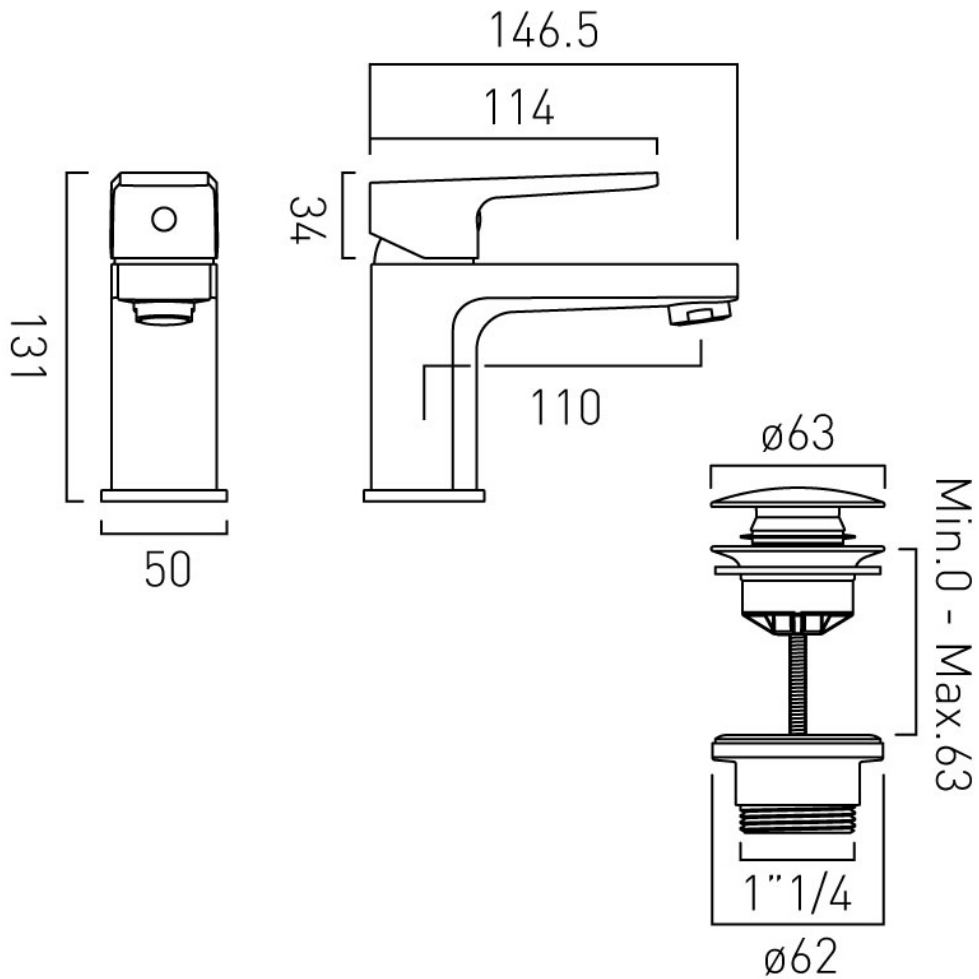
where inspiration flows
taps | showering | accessories



TECHNICAL DRAWING

COLLECTION: EKKO

PRODUCT CODE: AX-EKO-100M/CC-CP



tel: 01934 744466
email: sales@vado.com
www.vado.com

where inspiration flows
taps | showering | accessories

