

SPECIFICATION SHEET

COLLECTION: EKKO

PRODUCT CODE: AX-EKO-123+K-CP



DESCRIPTION:

exposed bath shower mixer
single lever
wall mounted
with Neoperl water flow straightener
with Bokx single function shower kit
ceramic cartridge W-002-N35
1/2" x 3/4" x 50mm eccentric threaded connections
minimum operating pressure 1.0 bar MP

FINISH:

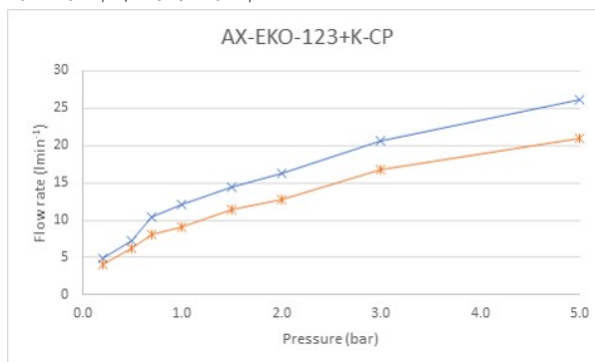
Chrome

MINIMUM OPERATING PRESSURE:

1.0 bar MP

FLOW RATE AT 3.0 BAR FLOW PRESSURE:

Bath: 20.4 l/m, Shower: 23.1 l/m



tel: 01934 744466
email: sales@vado.com
www.vado.com

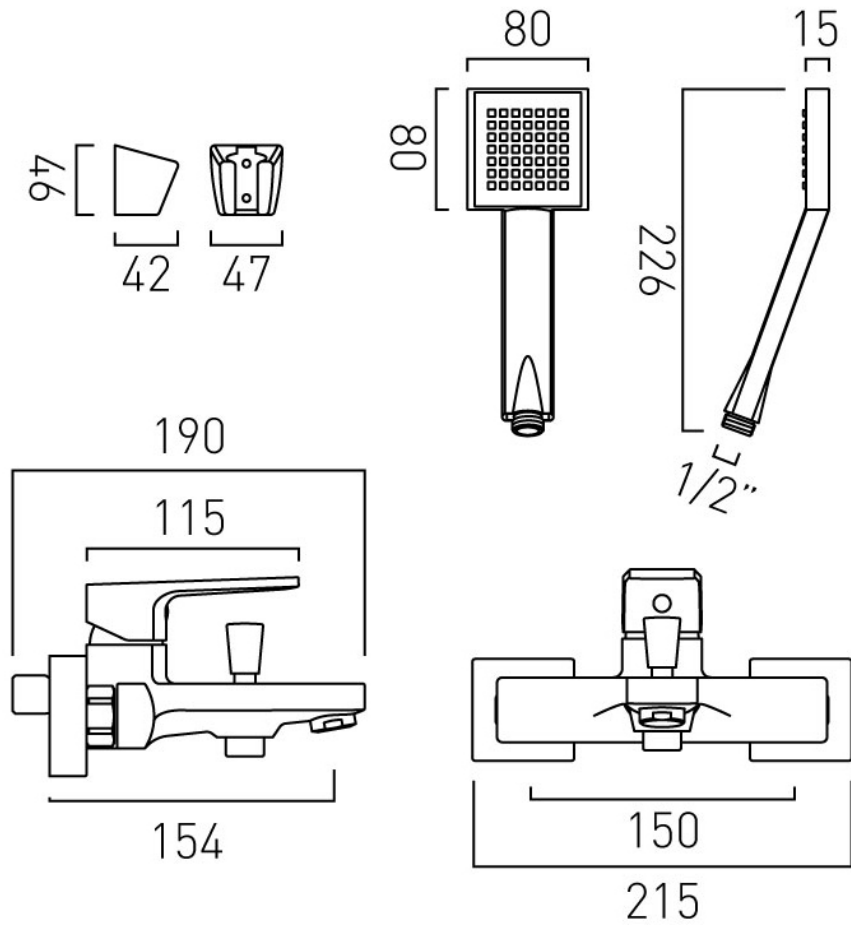
where inspiration flows
taps | showering | accessories



TECHNICAL DRAWING

COLLECTION: EKKO

PRODUCT CODE: AX-EKO-123+K-CP



tel: 01934 744466
email: sales@vado.com
www.vado.com

where inspiration flows
taps | showering | accessories

