

# SPECIFICATION SHEET

**COLLECTION:** EKKO

**PRODUCT CODE:** AX-EKO-149-CP



**DESCRIPTION:**

exposed manual shower valve  
single lever  
wall mounted  
ceramic cartridge W-001-N35  
2 x 1/2" inlets  
1 x 1/2" shower outlet  
minimum operating pressure 1.0 bar MP

**FINISH:**

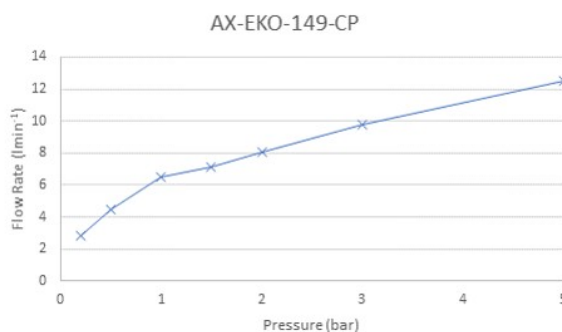
Chrome

**MINIMUM OPERATING PRESSURE:**

1.0 bar MP

**FLOW RATE AT 3.0 BAR FLOW PRESSURE:**

9.8 l/m



tel: 01934 744466  
email: sales@vado.com  
www.vado.com

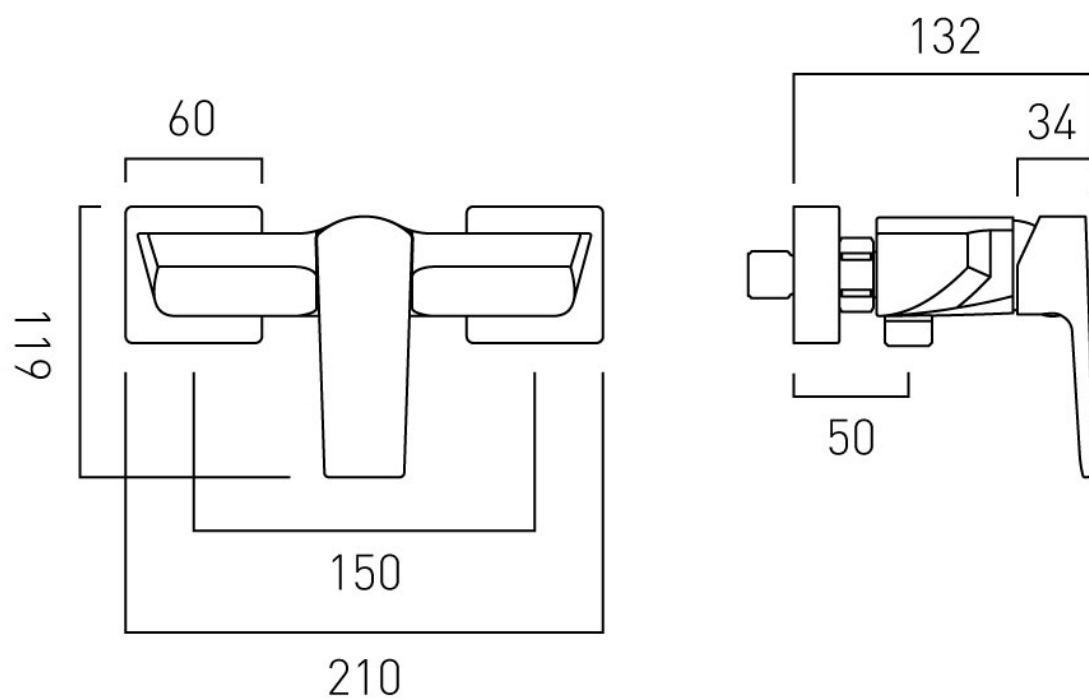
**where inspiration flows**  
taps | showering | accessories



# TECHNICAL DRAWING

**COLLECTION:** EKKO

**PRODUCT CODE:** AX-EKO-149-CP



tel: 01934 744466  
email: sales@vado.com  
www.vado.com

**where inspiration flows**  
taps | showering | accessories

