

SPECIFICATION SHEET

COLLECTION: METIZ

PRODUCT CODE: AX-MET-136-CP



DESCRIPTION:

bath pillar taps
1/4 turn ceramic cartridges
deck mounted
with coin slot laminar flow aerators
cold ceramic cartridge CH-301-RTC
hot ceramic cartridge CH-301-LTC
minimum operating pressure 0.2 bar LP

FINISH:

Chrome

MINIMUM OPERATING PRESSURE:

0.2 bar LP

FLOW RATE AT 3.0 BAR FLOW PRESSURE:

37.9 l/m (single tap)

tel: 01934 744466
email: sales@vado.com
www.vado.com

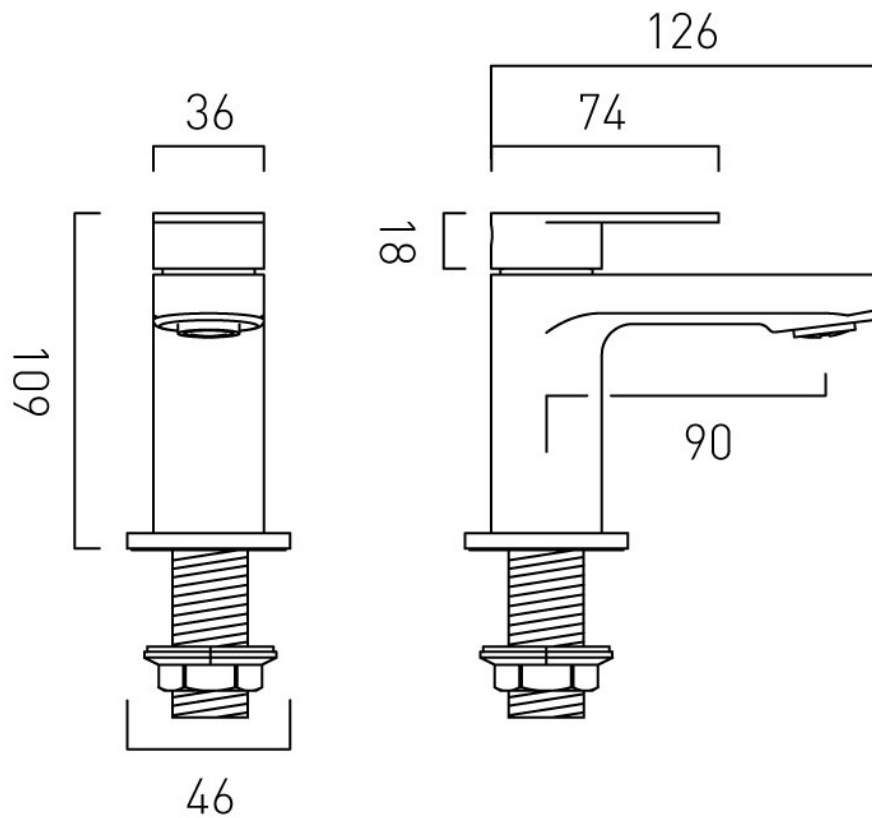
where inspiration flows
taps | showering | accessories



TECHNICAL DRAWING

COLLECTION: METIZ

PRODUCT CODE: AX-MET-136-CP



tel: 01934 744466
email: sales@vado.com
www.vado.com

where inspiration flows
taps | showering | accessories

