

SPECIFICATION SHEET

COLLECTION: METIZ

PRODUCT CODE: AX-MET-130+K-CP



DESCRIPTION:

2 hole bath shower mixer
deck mounted
with Neoperl water flow straightener
with Sirkel single function shower kit
cold ceramic cartridge H-302-RTC
hot ceramic cartridge H-302-LTC
2 x 3/4" male threaded connections
deck mount drill hole diameter 28-30mm
minimum operating pressure 0.2 bar LP

FINISH:

Chrome

MINIMUM OPERATING PRESSURE:

0.2 bar LP

FLOW RATE AT 3.0 BAR FLOW PRESSURE:

Bath: 46 l/m, Shower: 22 l/m

tel: 01934 744466
email: sales@vado.com
www.vado.com

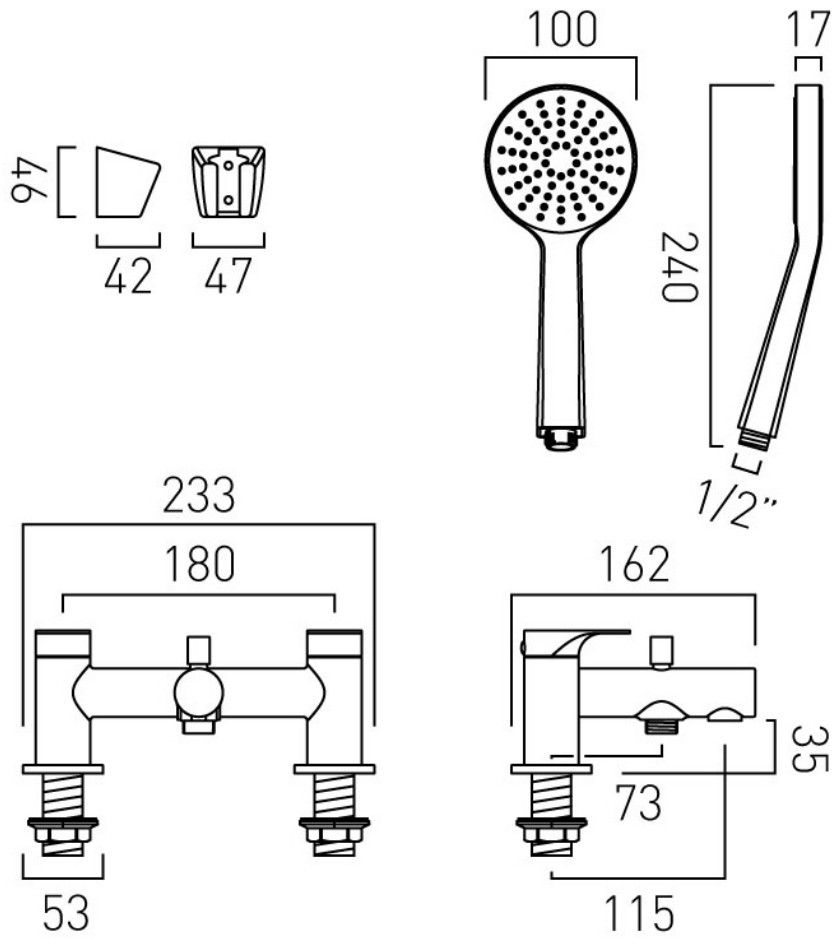
where inspiration flows
taps | showering | accessories



TECHNICAL DRAWING

COLLECTION: METIZ

PRODUCT CODE: AX-MET-130+K-CP



tel: 01934 744466
email: sales@vado.com
www.vado.com

where inspiration flows
taps | showering | accessories

