

# SPECIFICATION SHEET

**COLLECTION:** AVA

**PRODUCT CODE:** AX-AVA-137-CP



**DESCRIPTION:**

2 hole bath filler  
deck mounted  
with Neoperl water flow straightener  
cold ceramic cartridge ION-VALVE/CD/CL-3/4  
hot ceramic cartridge ION-VALVE/CD/HT-3/4  
2 x 3/4" male threaded connections  
deck mount drill hole diameter 28-30mm  
minimum operating pressure 0.2 bar LP

**FINISH:**

Chrome

**MINIMUM OPERATING PRESSURE:**

0.2 bar LP

**FLOW RATE AT 3.0 BAR FLOW PRESSURE:**

79.5 l/m

tel: 01934 744466  
email: sales@vado.com  
www.vado.com

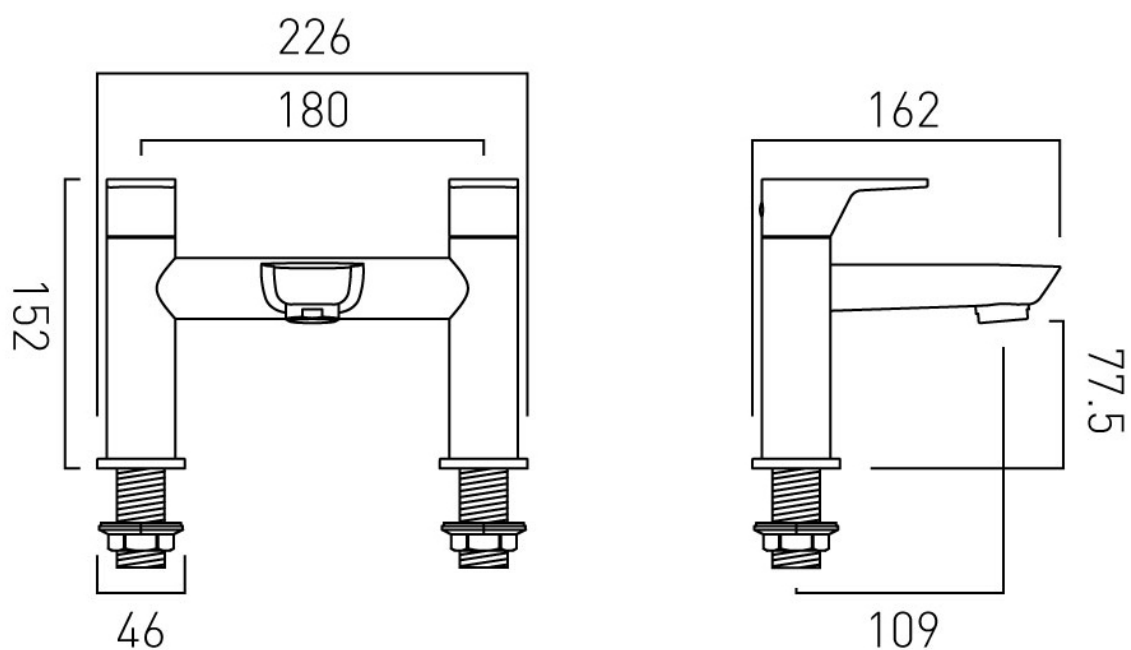
**where inspiration flows**  
taps | showering | accessories



# TECHNICAL DRAWING

**COLLECTION:** AVA

**PRODUCT CODE:** AX-AVA-137-CP



tel: 01934 744466  
email: sales@vado.com  
www.vado.com

**where inspiration flows**  
taps | showering | accessories

