

# SPECIFICATION SHEET

**COLLECTION:** AVA

**PRODUCT CODE:** AX-AVA-145A-CP



**DESCRIPTION:**

concealed 1 outlet shower valve  
single lever  
wall mounted  
with oval backplate  
ceramic cartridge W-001-N35  
2 x 1/2" female inlets  
2 x 1/2" female outlets (one is blanked off)  
min-max wall mount 40-65mm  
minimum operating pressure 0.2 bar LP shower / 1.5 bar MP bath

**FINISH:**

Chrome

**MINIMUM OPERATING PRESSURE:**

Shower: 0.2 bar LP, Bath: 1.5 bar MP

tel: 01934 744466  
email: [sales@vado.com](mailto:sales@vado.com)  
[www.vado.com](http://www.vado.com)

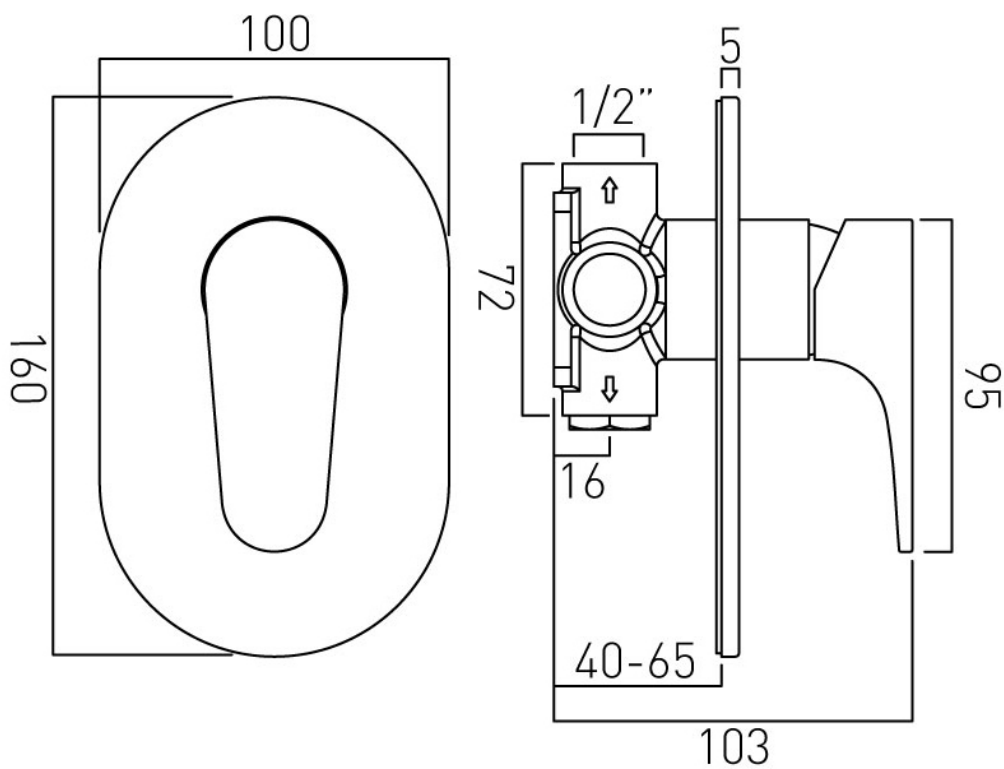
**where inspiration flows**  
taps | showering | accessories



# TECHNICAL DRAWING

COLLECTION: AVA

PRODUCT CODE: AX-AVA-145A-CP



tel: 01934 744466  
email: sales@vado.com  
www.vado.com

**where inspiration flows**  
taps | showering | accessories

