

SPECIFICATION SHEET

COLLECTION: IRLO

PRODUCT CODE: AX-IRO-106-CP



DESCRIPTION:

basin pillar taps

1/4 turn ceramic cartridges

deck mounted

cold ceramic cartridge C-201-RTC

hot ceramic cartridge C-201-LTC

minimum operating pressure 0.2 bar LP

FINISH:

Chrome

MINIMUM OPERATING PRESSURE:

0.2 bar LP

FLOW RATE AT 3.0 BAR FLOW PRESSURE:

5.2 l/m (Single Tap)

tel: 01934 744466

email: sales@vado.com

www.vado.com

where inspiration flows

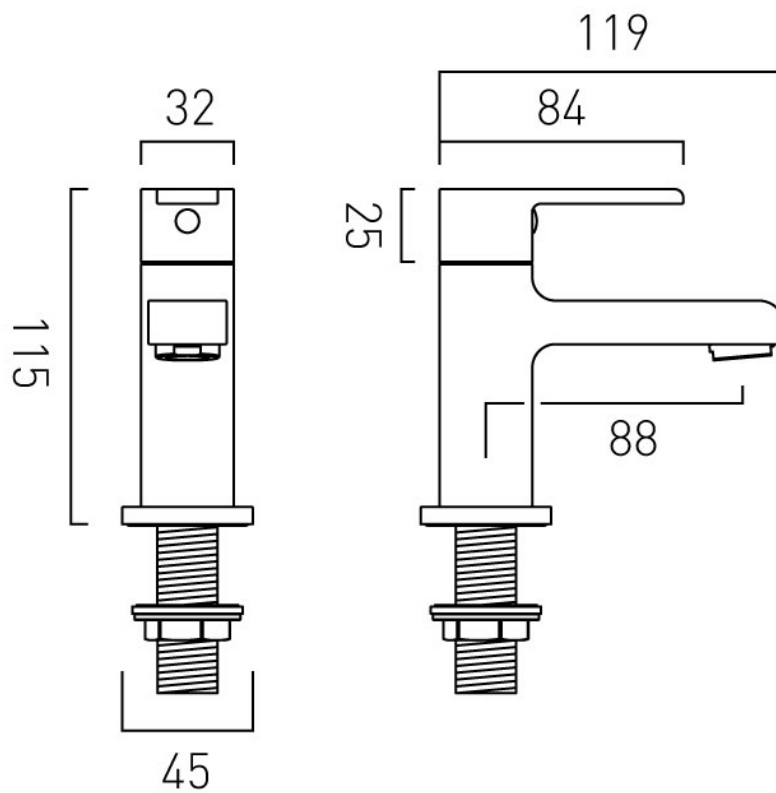
taps | showering | accessories



TECHNICAL DRAWING

COLLECTION: IRLO

PRODUCT CODE: AX-IRO-106-CP



tel: 01934 744466
email: sales@vado.com
www.vado.com

where inspiration flows
taps | showering | accessories

