

# SPECIFICATION SHEET

**COLLECTION:** IRLO

**PRODUCT CODE:** AX-IRO-136-CP



**DESCRIPTION:**

bath pillar taps

1/4 turn ceramic cartridges

deck mounted

cold ceramic cartridge C-302-RTC

hot ceramic cartridge C-302-LTC

minimum operating pressure 0.2 bar LP

**FINISH:**

Chrome

**MINIMUM OPERATING PRESSURE:**

0.2 bar LP

**FLOW RATE AT 3.0 BAR FLOW PRESSURE:**

38.1 (single tap)

tel: 01934 744466

email: [sales@vado.com](mailto:sales@vado.com)

[www.vado.com](http://www.vado.com)

**where inspiration flows**

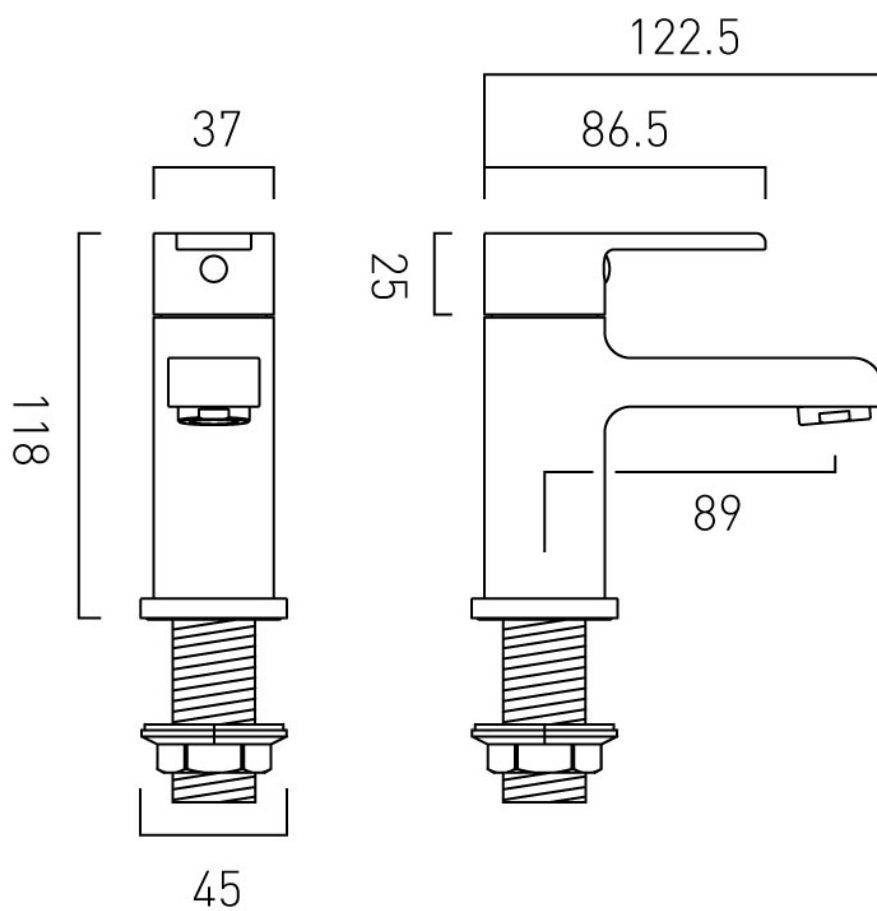
taps | showering | accessories



# TECHNICAL DRAWING

**COLLECTION:** IRL0

**PRODUCT CODE:** AX-IR0-136-CP



tel: 01934 744466  
email: sales@vado.com  
www.vado.com

**where inspiration flows**  
taps | showering | accessories

