

SPECIFICATION SHEET

COLLECTION: VALA

PRODUCT CODE: AX-VAL-100/CC-CP



DESCRIPTION:

mono basin mixer
single lever
deck mounted
smooth bodied
with Neoperl dual core aerator
with push basin waste
2 x 1/2" nut x 400mm flexipipe connections
ceramic cartridge W-003-N35
minimum operating pressure 0.2 bar LP

FINISH:

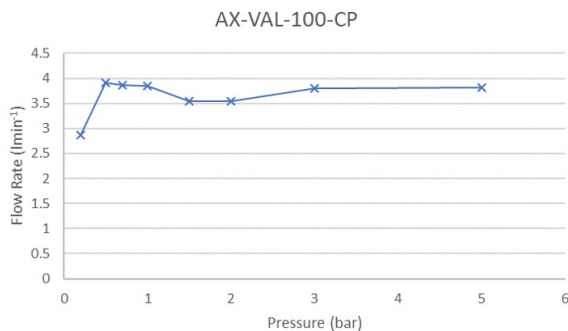
Chrome

MINIMUM OPERATING PRESSURE:

0.2 bar LP

FLOW RATE AT 3.0 BAR FLOW PRESSURE:

0.2 bar LP



tel: 01934 744466
email: sales@vado.com
www.vado.com

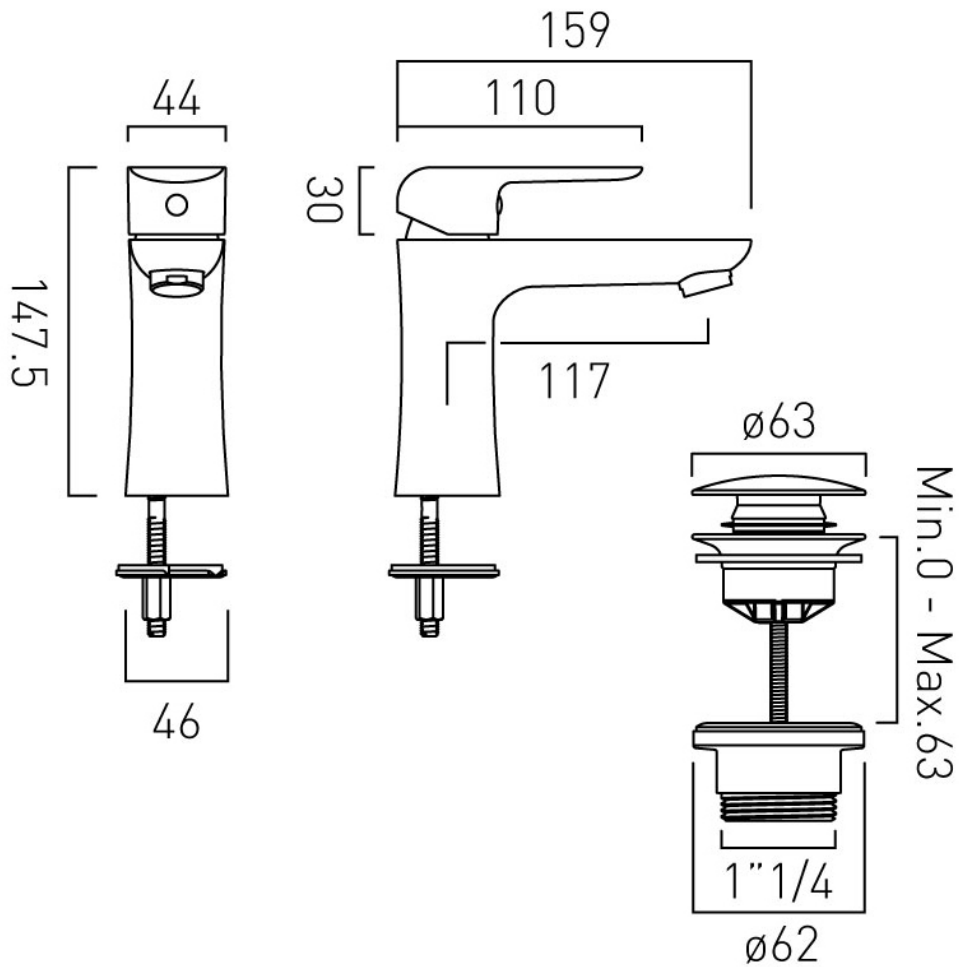
where inspiration flows
taps | showering | accessories



TECHNICAL DRAWING

COLLECTION: VALA

PRODUCT CODE: AX-VAL-100/CC-CP



tel: 01934 744466
email: sales@vado.com
www.vado.com

where inspiration flows
taps | showering | accessories

