

# SPECIFICATION SHEET

**COLLECTION:** VALA

**PRODUCT CODE:** AX-VAL-137-CP



## DESCRIPTION:

2 hole bath filler  
deck mounted  
with Neoperl water flow straightener  
cold ceramic cartridge H-301-RTC  
hot ceramic cartridge H-301-LTC  
2 x 3/4" male threaded connections  
deck mount drill hole diameter 28-30mm  
minimum operating pressure 0.2 bar LP

## FINISH:

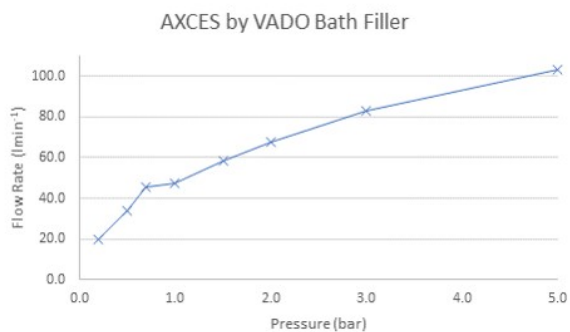
Chrome

## MINIMUM OPERATING PRESSURE:

0.2 bar LP

## FLOW RATE AT 3.0 BAR FLOW PRESSURE:

83.2 l/m



tel: 01934 744466  
email: [sales@vado.com](mailto:sales@vado.com)  
[www.vado.com](http://www.vado.com)

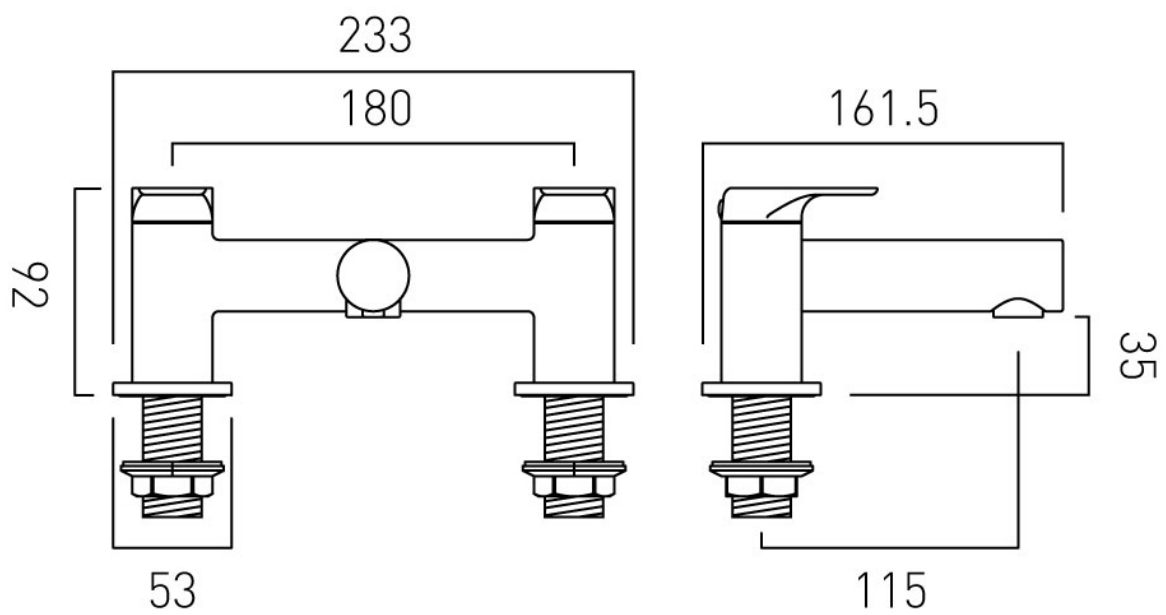
**where inspiration flows**  
taps | showering | accessories



# TECHNICAL DRAWING

**COLLECTION:** VALA

**PRODUCT CODE:** AX-VAL-137-CP



tel: 01934 744466  
email: [sales@vado.com](mailto:sales@vado.com)  
[www.vado.com](http://www.vado.com)

**where inspiration flows**  
taps | showering | accessories

