

SPECIFICATION SHEET

COLLECTION: KORE

PRODUCT CODE: AX-KOR-149-CP



DESCRIPTION:

exposed manual shower valve
single lever
wall mounted
ceramic cartridge W-001-N35
2 x 1/2" inlets
1 x 1/2" shower outlet
minimum operating pressure 0.2 bar LP

FINISH:

Chrome

MINIMUM OPERATING PRESSURE:

0.2 bar LP

FLOW RATE AT 3.0 BAR FLOW PRESSURE:

10.9 l/m

tel: 01934 744466
email: sales@vado.com
www.vado.com

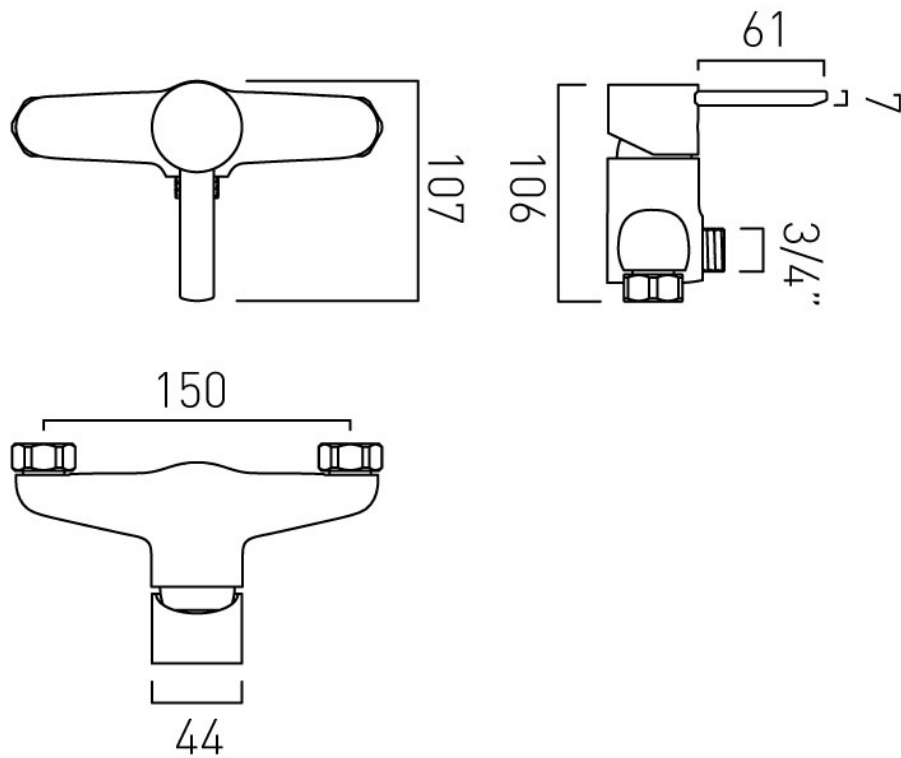
where inspiration flows
taps | showering | accessories



TECHNICAL DRAWING

COLLECTION: KORE

PRODUCT CODE: AX-KOR-149-CP



tel: 01934 744466
email: sales@vado.com
www.vado.com

where inspiration flows
taps | showering | accessories

