

# SPECIFICATION SHEET

**COLLECTION:** KORE

**PRODUCT CODE:** AX-KOR-145A-CP



**DESCRIPTION:**

concealed 1 outlet shower valve  
single lever  
wall mounted  
with round backplate  
ceramic cartridge W-001-N35  
2 x 1/2" female inlets  
2 x 1/2" female outlets (one is blanked off)  
min-max wall mount 40-65mm  
minimum operating pressure 0.2 bar LP shower / 1.5 bar MP bath

**FINISH:**

Chrome

**MINIMUM OPERATING PRESSURE:**

Shower: 0.2 bar LP, Bath: 1.5 bar MP

**FLOW RATE AT 3.0 BAR FLOW PRESSURE:**

23.7 l/m

tel: 01934 744466  
email: sales@vado.com  
www.vado.com

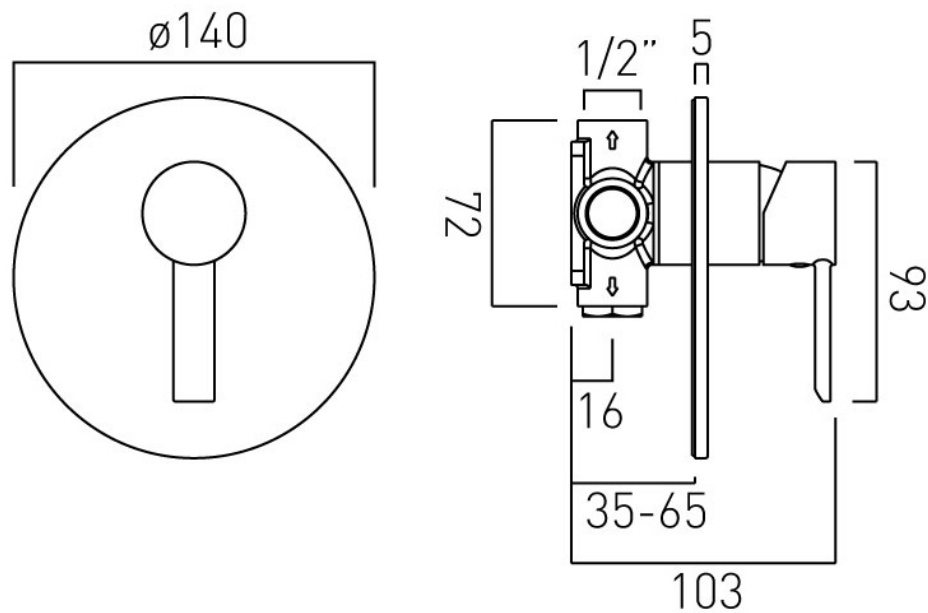
**where inspiration flows**  
taps | showering | accessories



# TECHNICAL DRAWING

**COLLECTION:** KORE

**PRODUCT CODE:** AX-KOR-145A-CP



tel: 01934 744466  
email: sales@vado.com  
www.vado.com

**where inspiration flows**  
taps | showering | accessories

