

SPECIFICATION SHEET

COLLECTION: NURI

PRODUCT CODE: AX-NUR-145A-CP



DESCRIPTION:

concealed 1 outlet shower valve
single lever
wall mounted
with round backplate
ceramic cartridge W-001-N35
2 x 1/2" female inlets
2 x 1/2" female outlets (one is blanked off)
min-max wall mount 40-65mm
minimum operating pressure 0.2 bar LP shower / 1.5 bar MP bath

FINISH:

Chrome

MINIMUM OPERATING PRESSURE:

Shower: 0.2 bar LP, Bath: 1.5 bar MP

FLOW RATE AT 3.0 BAR FLOW PRESSURE:

23.7 l/m

tel: 01934 744466
email: sales@vado.com
www.vado.com

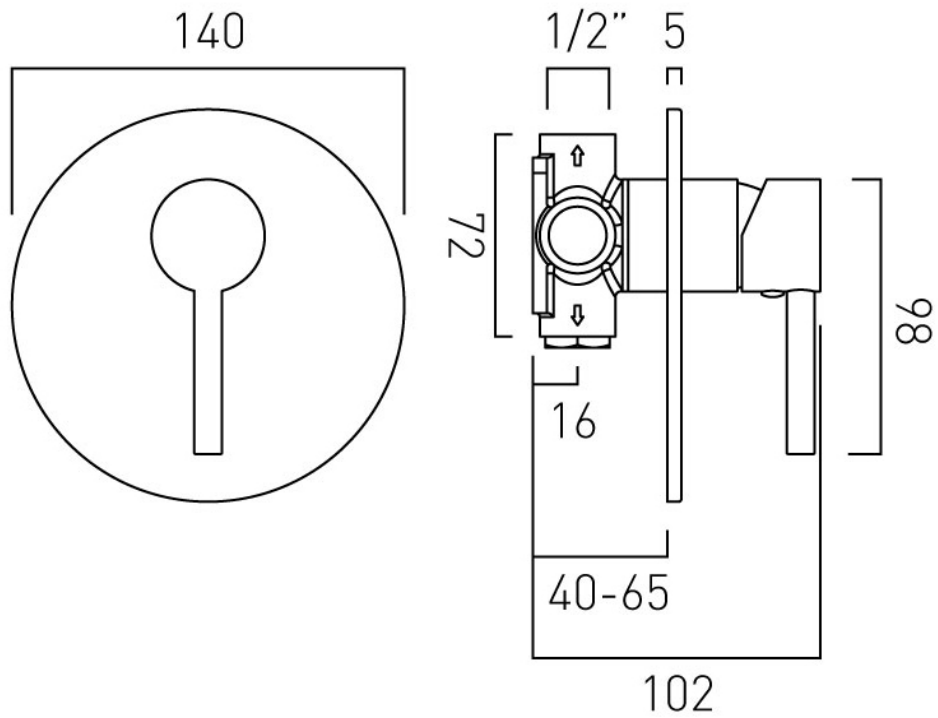
where inspiration flows
taps | showering | accessories



TECHNICAL DRAWING

COLLECTION: NURI

PRODUCT CODE: AX-NUR-145A-CP



tel: 01934 744466
email: sales@vado.com
www.vado.com

where inspiration flows
taps | showering | accessories

