

SPECIFICATION SHEET

COLLECTION: ASTRA

PRODUCT CODE: AX-AST-330+K-CP



DESCRIPTION:

2 hole bath shower mixer
deck mounted
with water flow straightener
with single function shower kit
cold ceramic cartridge C-201-RTC
hot ceramic cartridge C-201-LTC
standard cartridge for AST-1 only: C-102-STD
2 x 3/4" male threaded connections
deck mount drill hole diameter 27mm
minimum operating pressure 0.2 bar LP

FINISH:

Chrome

FLOW REGULATOR:

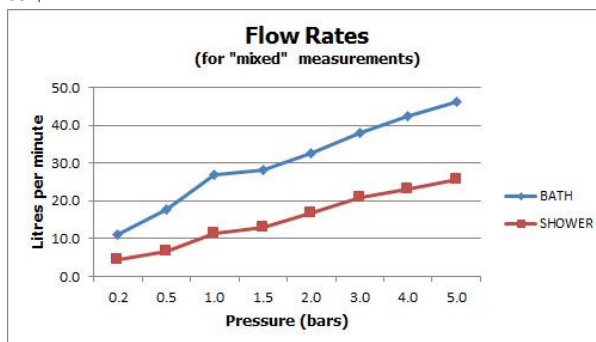
FR-SHOWER/9-C/P

MINIMUM OPERATING PRESSURE:

0.2 bar LP

FLOW RATE AT 3.0 BAR FLOW PRESSURE:

38 l/min



tel: 01934 744466
email: sales@vado.com
www.vado.com

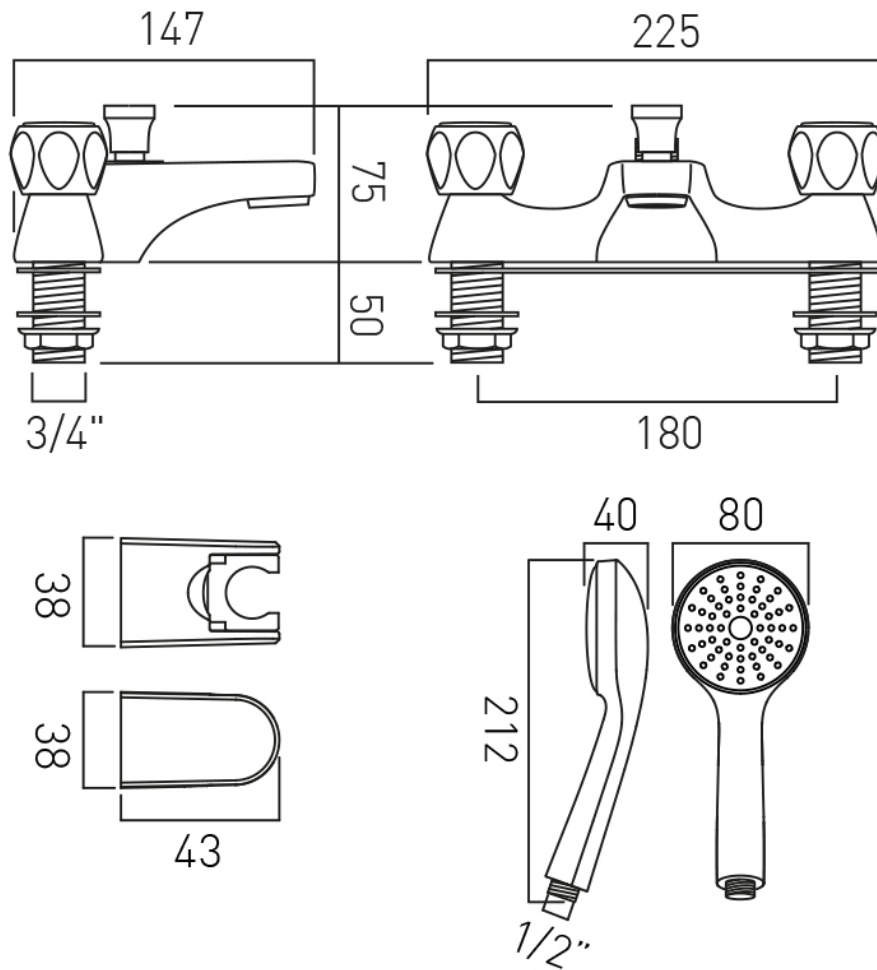
where inspiration flows
taps | showering | accessories



TECHNICAL DRAWING

COLLECTION: ASTRA

PRODUCT CODE: AX-AST-330+K-CP



tel: 01934 744466
email: sales@vado.com
www.vado.com

where inspiration flows
taps | showering | accessories

