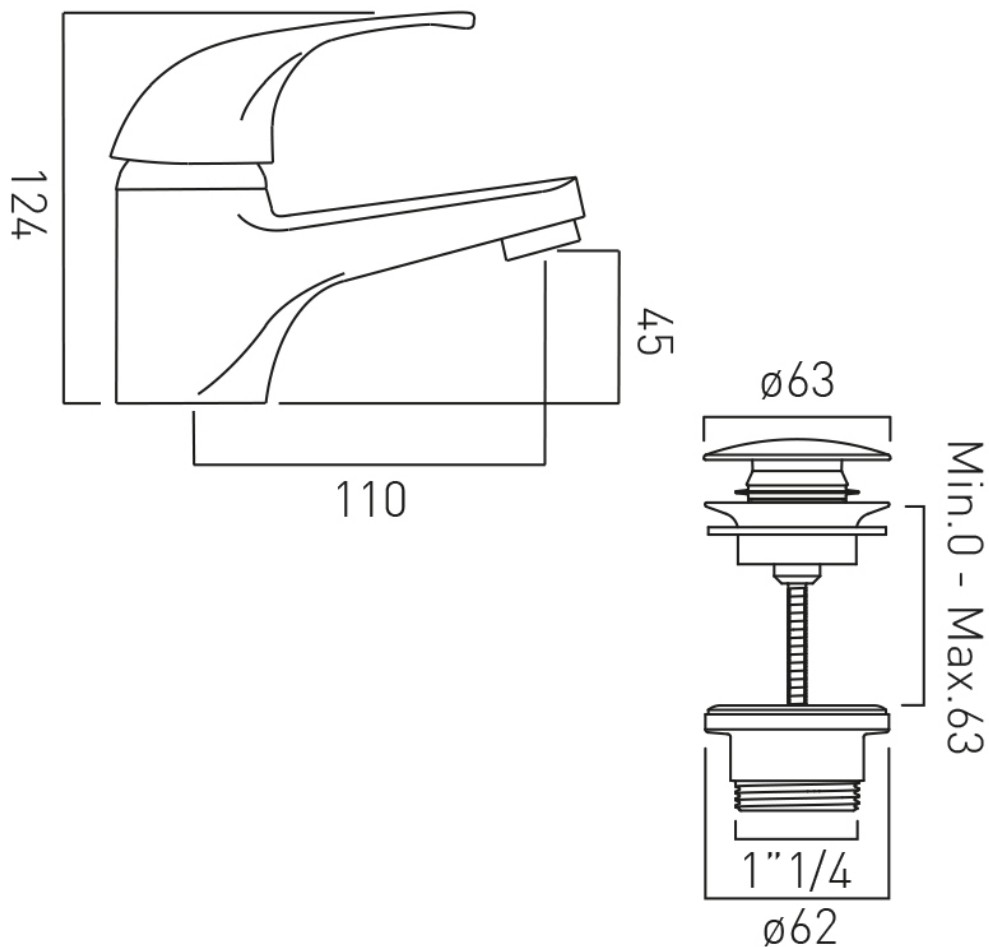


# TECHNICAL DRAWING

**COLLECTION:** MATRIX

**PRODUCT CODE:** AX-MAT-100/CC-CP



tel: 01934 744466  
email: sales@vado.com  
www.vado.com

**where inspiration flows**  
taps | showering | accessories

