

# SPECIFICATION SHEET

**COLLECTION:** PROJECT LINE

**PRODUCT CODE:** AX-PRO-167/C+H-CP



## DESCRIPTION:

single non-concussive self-closing basin push tap  
deck mounted  
automatic shut off  
supplied with hot and cold indices  
with water flow aerator  
cartridge PRO-167/C+H/VALVE-C/P  
1/2" x 50mm threaded tail connections  
deck mount drill hole diameter 22mm  
minimum operating pressure 0.2 bar LP

## FINISH:

Chrome

## FLOW REGULATOR:

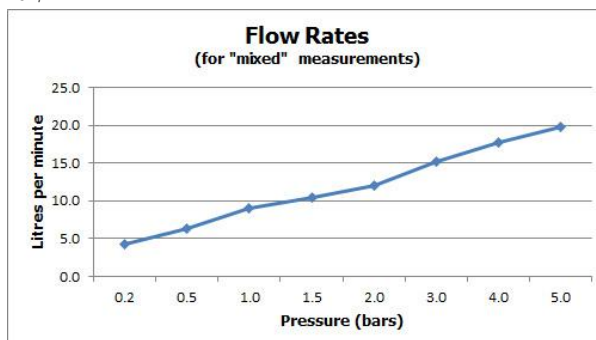
FR-100/5-PLA

## MINIMUM OPERATING PRESSURE:

0.2 bar LP

## FLOW RATE AT 3.0 BAR FLOW PRESSURE:

15 l/min



tel: 01934 744466  
email: [sales@vado.com](mailto:sales@vado.com)  
[www.vado.com](http://www.vado.com)

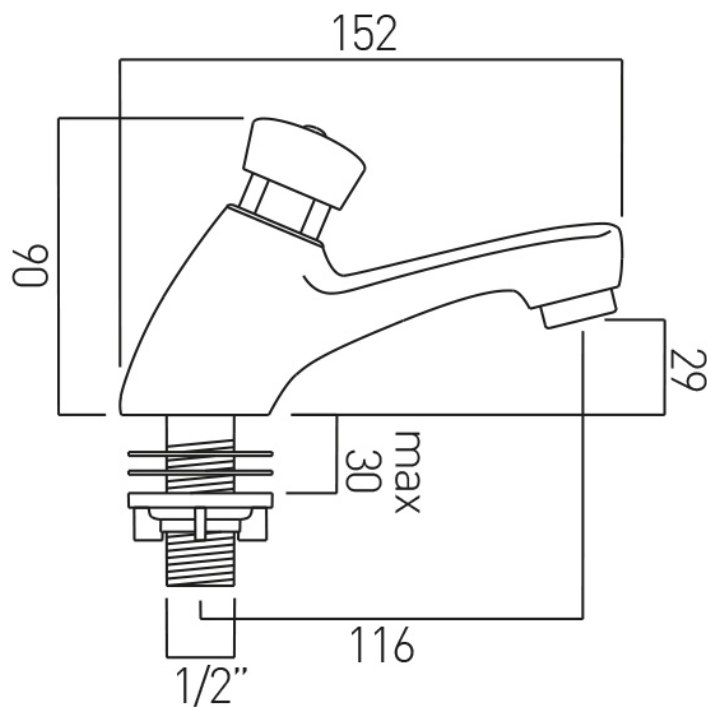
**where inspiration flows**  
taps | showering | accessories



# TECHNICAL DRAWING

**COLLECTION:** PROJECT LINE

**PRODUCT CODE:** AX-PRO-167/C+H-CP



tel: 01934 744466  
email: sales@vado.com  
www.vado.com

**where inspiration flows**  
taps | showering | accessories

