

---

# SPECIFICATION SHEET

**COLLECTION:** PROJECT LINE

**PRODUCT CODE:** AX-PRO-300-CP



**DESCRIPTION:**

medical mixer  
single long lever  
deck mounted  
smooth bodied  
ceramic cartridge CAR-K40B  
2 x 1/2" nut x 300mm flexipipe connections  
deck mount drill hole diameter 35mm  
minimum operating pressure 0.2 bar LP

**FINISH:**

Chrome

**FLOW REGULATOR:**

FR-100/5-PLA

**MINIMUM OPERATING PRESSURE:**

0.2 bar LP

tel: 01934 744466  
email: [sales@vado.com](mailto:sales@vado.com)  
[www.vado.com](http://www.vado.com)

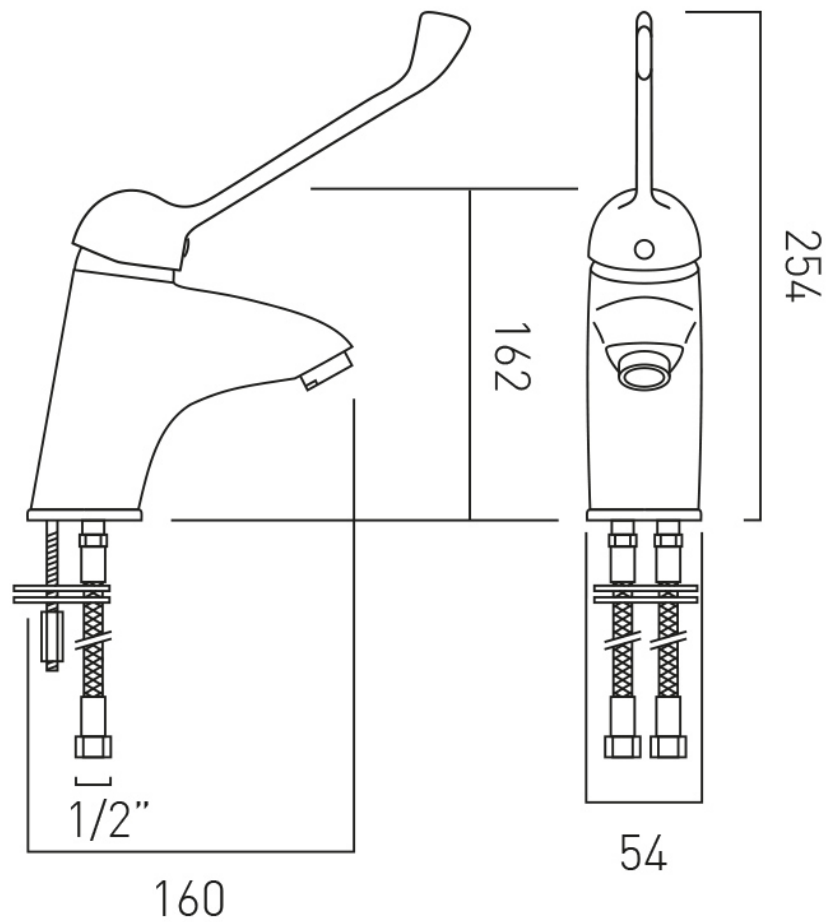
**where inspiration flows**  
taps | showering | accessories



# TECHNICAL DRAWING

**COLLECTION:** PROJECT LINE

**PRODUCT CODE:** AX-PRO-300-CP



tel: 01934 744466  
email: sales@vado.com  
www.vado.com

**where inspiration flows**  
taps | showering | accessories

