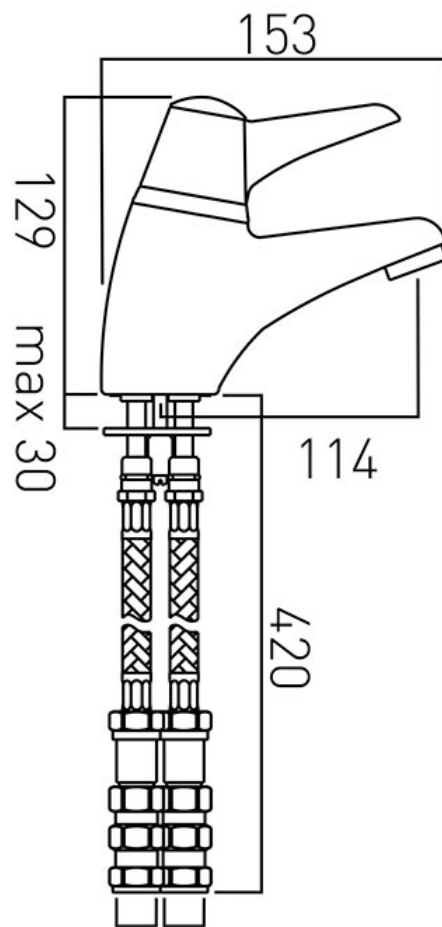


# TECHNICAL DRAWING

**COLLECTION:** PROJECT LINE

**PRODUCT CODE:** PRO-100P-C/P



15mm compression  
or 1/2" male thread

tel: 01934 744466  
email: [sales@vado.com](mailto:sales@vado.com)  
[www.vado.com](http://www.vado.com)

**where inspiration flows**  
taps | showering | accessories

