

# SPECIFICATION SHEET

## COLLECTION:

PRODUCT CODE: AX-SIR-149T-CP



## DESCRIPTION:

exposed round thermostatic 1/2" shower valve  
1/2" x 3/4" x 50mm eccentrics  
thermostatic cartridge S-701-31S  
flow cartridge H-202-RTC  
minimum operating pressure 1.0 bar

## FINISH:

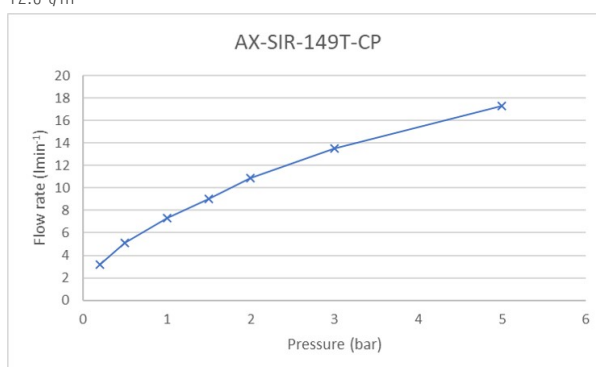
Chrome

## MINIMUM OPERATING PRESSURE:

1.0 bar MP

## FLOW RATE AT 3.0 BAR FLOW PRESSURE:

12.6 l/m



tel: 01934 744466  
email: sales@vado.com  
www.vado.com

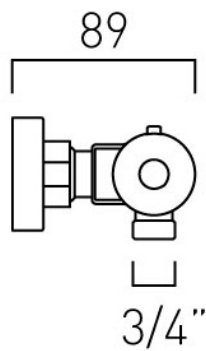
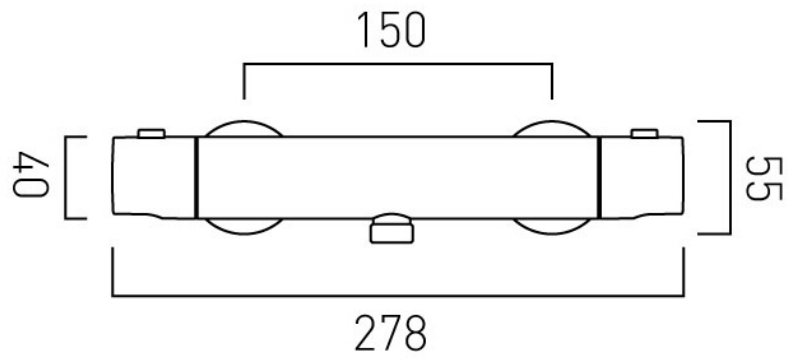
where inspiration flows  
taps | showering | accessories



# TECHNICAL DRAWING

**COLLECTION:**

**PRODUCT CODE:** AX-SIR-149T-CP



tel: 01934 744466  
email: [sales@vado.com](mailto:sales@vado.com)  
[www.vado.com](http://www.vado.com)

**where inspiration flows**  
taps | showering | accessories

