

SPECIFICATION SHEET

COLLECTION:

PRODUCT CODE: AX-BOK-SFSP-CP



DESCRIPTION:

exposed square thermostatic 1/2" shower valve
sirkel single function slide rail kit
1/2" x 3/4" x 50mm eccentrics
easy fit mounting brackets
thermostatic cartridge S-701-31S
flow cartridge H-202-RTC
minimum operating pressure 1.0 bar

FINISH:

Chrome

MINIMUM OPERATING PRESSURE:

1.0 bar MP

tel: 01934 744466
email: sales@vado.com
www.vado.com

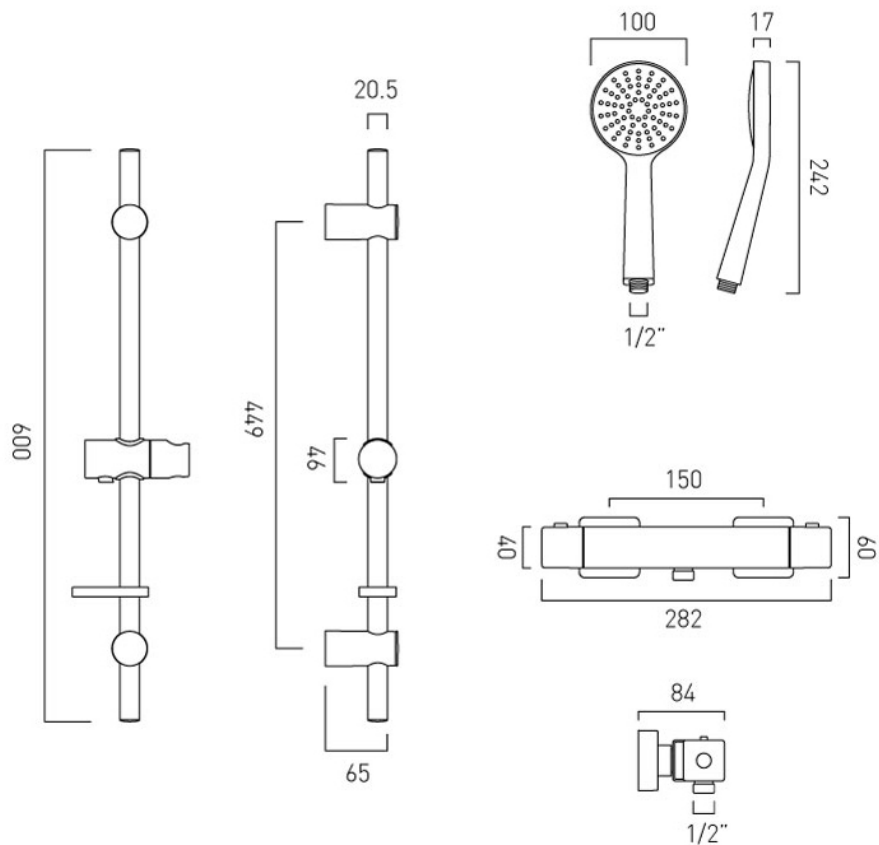
where inspiration flows
taps | showering | accessories



TECHNICAL DRAWING

COLLECTION:

PRODUCT CODE: AX-BOK-SFSP-CP



tel: 01934 744466
email: sales@vado.com
www.vado.com

where inspiration flows
taps | showering | accessories

