

# SPECIFICATION SHEET

## COLLECTION:

PRODUCT CODE: AX-BOK-149T-RRK-CP



## DESCRIPTION:

square thermostatic shower valve with integrated diverter

rigid riser with single function shower head and handset

thermostatic cartridge S-701-31S

diverter cartridge SG-801-25/2SX

minimum operating pressure 1.0 bar

## FINISH:

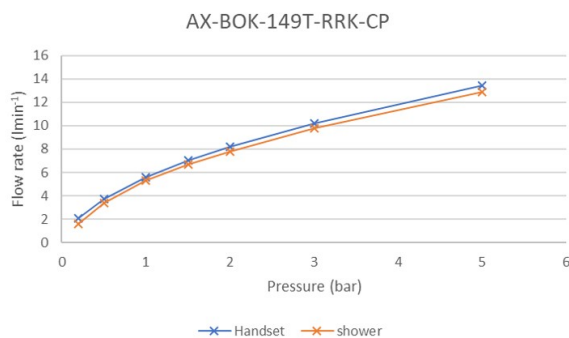
Chrome

## MINIMUM OPERATING PRESSURE:

1.0 bar MP

## FLOW RATE AT 3.0 BAR FLOW PRESSURE:

Head: 9.8 l/m, Handset: 10.2 l/m



tel: 01934 744466  
email: sales@vado.com  
www.vado.com

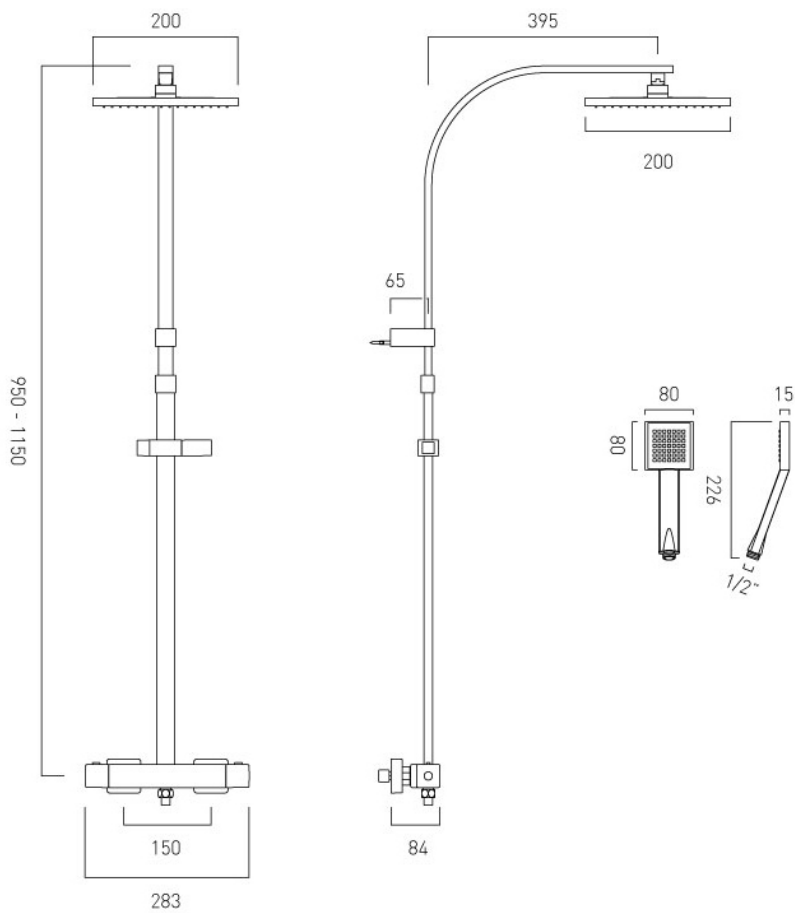
where inspiration flows  
taps | showering | accessories



# TECHNICAL DRAWING

COLLECTION:

PRODUCT CODE: AX-BOK-149T-RRK-CP



tel: 01934 744466  
email: sales@vado.com  
www.vado.com

**where inspiration flows**  
taps | showering | accessories

