
SPECIFICATION SHEET

COLLECTION: TOURNAMENT

PRODUCT CODE: AX-TOU-180A-CP



DESCRIPTION:

closed paper holder
wall mounted

FINISH:

Chrome

tel: 01934 744466
email: sales@vado.com
www.vado.com

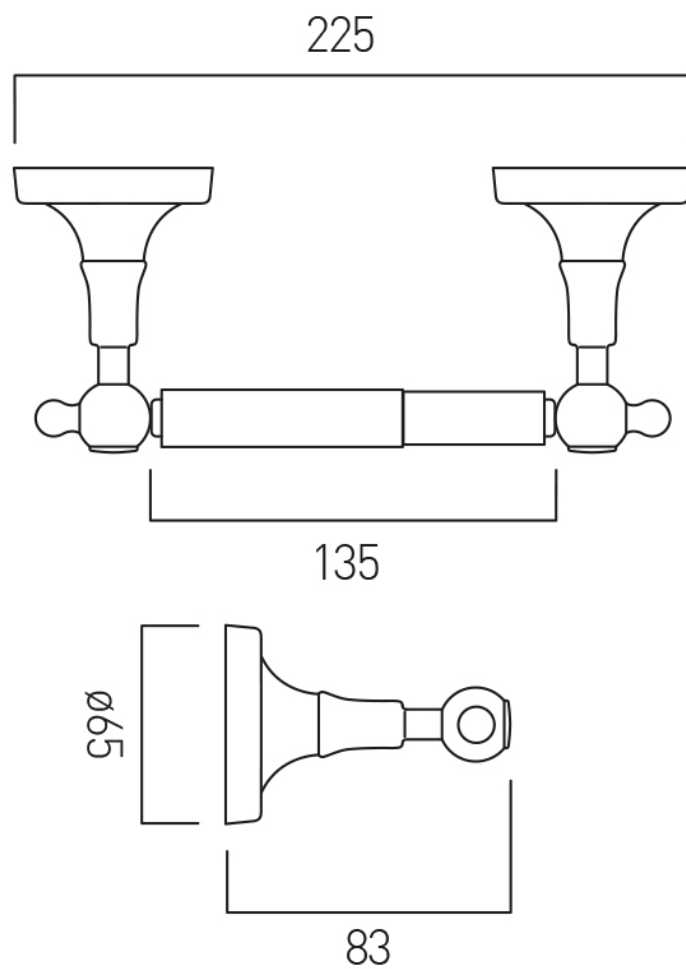
where inspiration flows
taps | showering | accessories



TECHNICAL DRAWING

COLLECTION: TOURNAMENT

PRODUCT CODE: AX-TOU-180A-CP



tel: 01934 744466
email: sales@vado.com
www.vado.com

where inspiration flows
taps | showering | accessories

