
SPECIFICATION SHEET

COLLECTION: TOURNAMENT

PRODUCT CODE: AX-TOU-184-CP



DESCRIPTION:

towel rail
wall mounted
560mm (22")

FINISH:

Chrome

tel: 01934 744466
email: sales@vado.com
www.vado.com

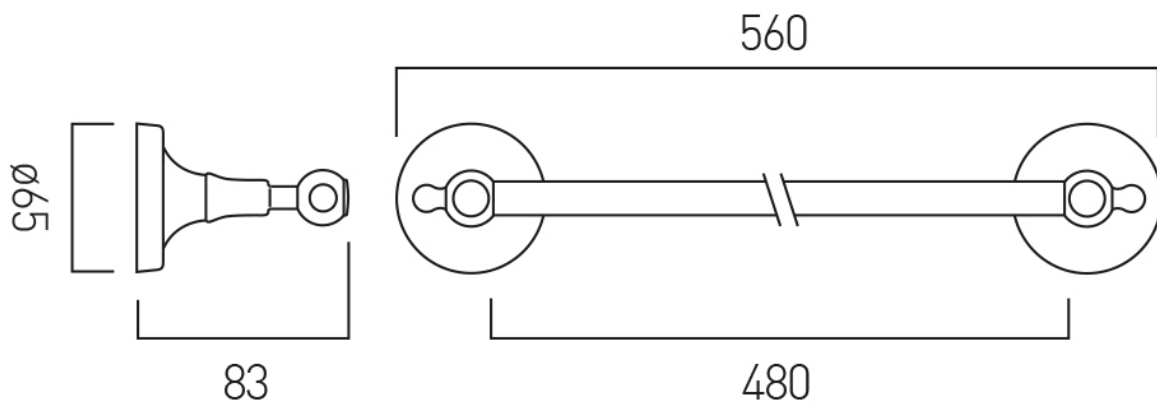
where inspiration flows
taps | showering | accessories



TECHNICAL DRAWING

COLLECTION: TOURNAMENT

PRODUCT CODE: AX-TOU-184-CP



tel: 01934 744466
email: sales@vado.com
www.vado.com

where inspiration flows
taps | showering | accessories

