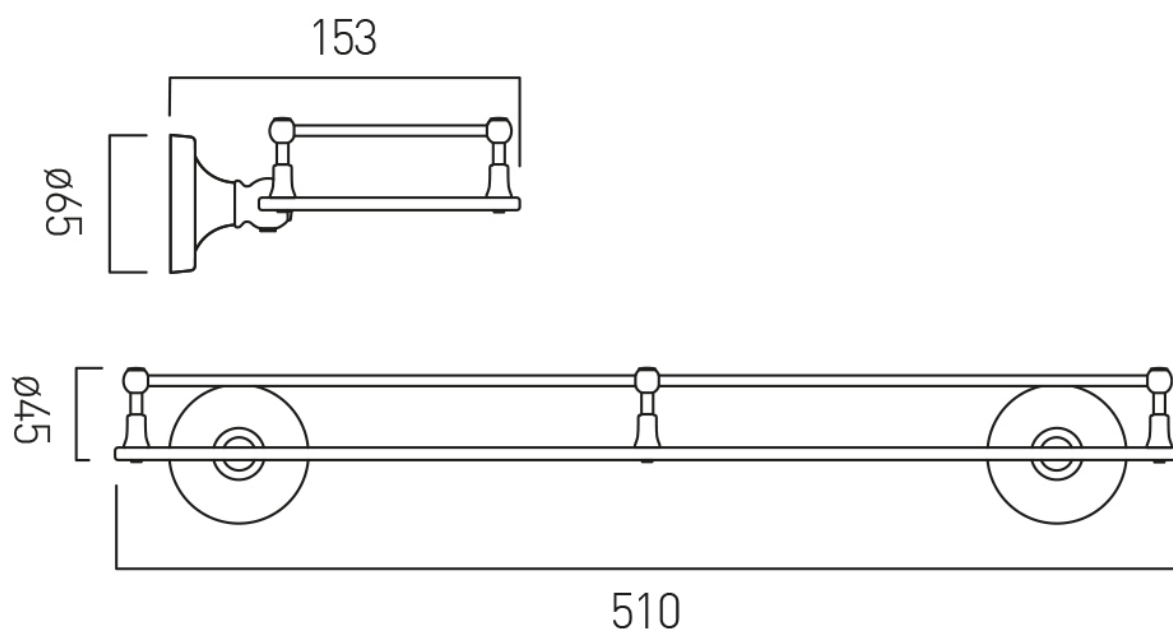


# TECHNICAL DRAWING

**COLLECTION:** TOURNAMENT

**PRODUCT CODE:** AX-TOU-185A-CP



tel: 01934 744466  
email: [sales@vado.com](mailto:sales@vado.com)  
[www.vado.com](http://www.vado.com)

**where inspiration flows**  
taps | showering | accessories

