

SPECIFICATION SHEET

COLLECTION: PROJECT LINE

PRODUCT CODE: AX-IR-100/AVA-CP



DESCRIPTION:

Ava
infra-red mono basin tap
deck mounted
with rub clean aerator
mains or battery operated
takes standard AA batteries
central processing unit: IR-100/CONTROL
minimum operating pressure 1.0 bar MP

FINISH:

Chrome

MINIMUM OPERATING PRESSURE:

1.0 bar MP

FLOW RATE AT 3.0 BAR FLOW PRESSURE:

14 l/min



tel: 01934 744466
email: sales@vado.com
www.vado.com

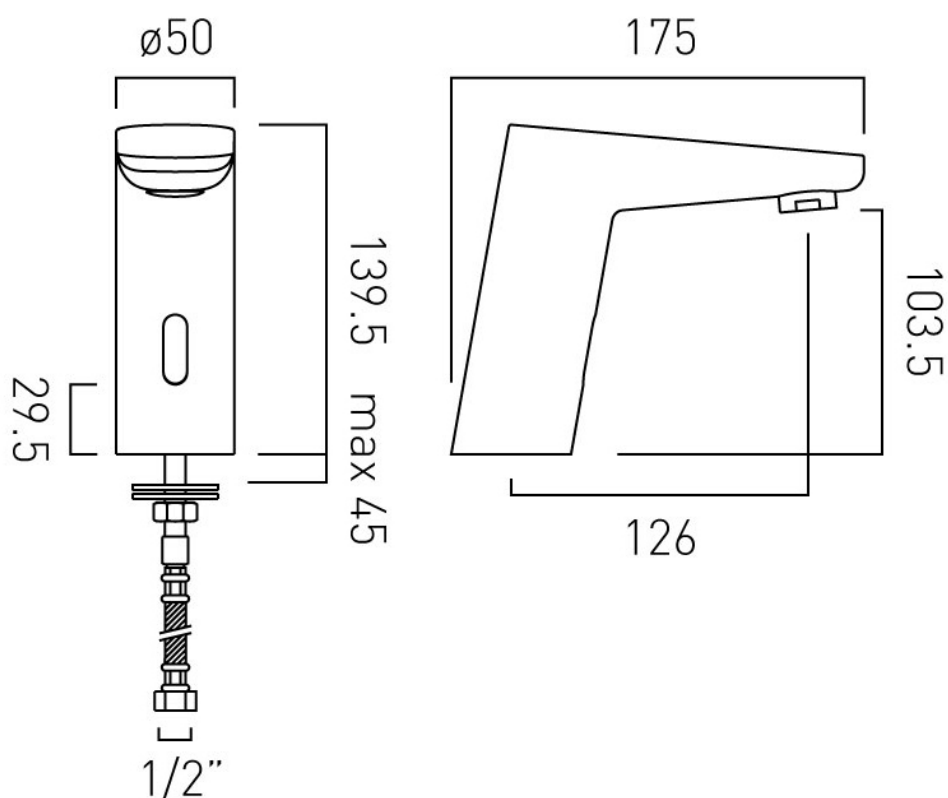
where inspiration flows
taps | showering | accessories



TECHNICAL DRAWING

COLLECTION: PROJECT LINE

PRODUCT CODE: AX-IR-100/AVA-CP



tel: 01934 744466
email: sales@vado.com
www.vado.com

where inspiration flows
taps | showering | accessories

