

# SPECIFICATION SHEET

**COLLECTION:** I-TECH

**PRODUCT CODE:** AX-IR-100/PRO-CP



**DESCRIPTION:**

Project Line  
infra-red mono basin mixer  
deck mounted  
mains or battery operated  
takes standard AA batteries  
ceramic cartridge IR-100/CONTROL  
minimum operating pressure 1.0 bar MP

**FINISH:**

Chrome

**FLOW REGULATOR:**

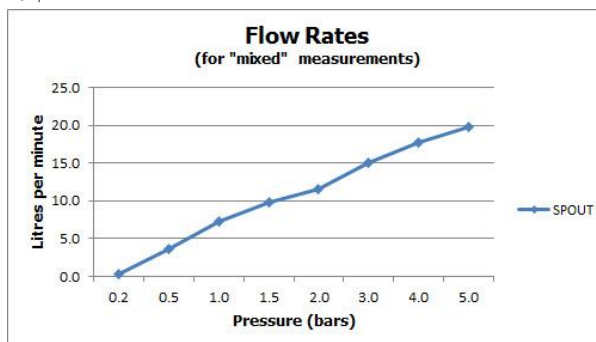
FR-100/5-PLA

**MINIMUM OPERATING PRESSURE:**

1.0 bar MP

**FLOW RATE AT 3.0 BAR FLOW PRESSURE:**

15 l/min



tel: 01934 744466  
email: sales@vado.com  
www.vado.com

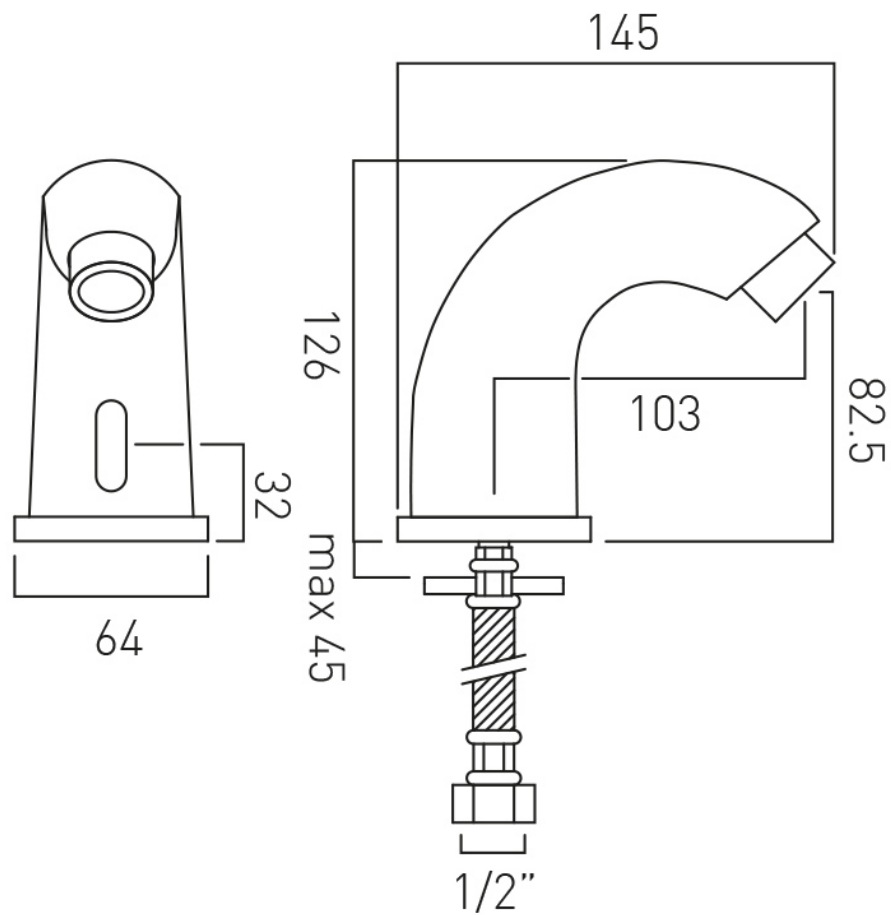
**where inspiration flows**  
taps | showering | accessories



# TECHNICAL DRAWING

**COLLECTION:** I-TECH

**PRODUCT CODE:** AX-IR-100/PRO-CP



tel: 01934 744466  
email: sales@vado.com  
www.vado.com

**where inspiration flows**  
taps | showering | accessories

