
SPECIFICATION SHEET

COLLECTION: METIZ

PRODUCT CODE: AX-MET-150-CP



DESCRIPTION:

mono sink mixer
single lever
deck mounted
ceramic cartridge W-001-N35
2 x 1/2" nut x 400mm flexipipe connections
deck mount drill hole diameter 35mm
minimum operating pressure 0.2 bar MP

FINISH:

Chrome

MINIMUM OPERATING PRESSURE:

1.0 bar MP

tel: 01934 744466
email: sales@vado.com
www.vado.com

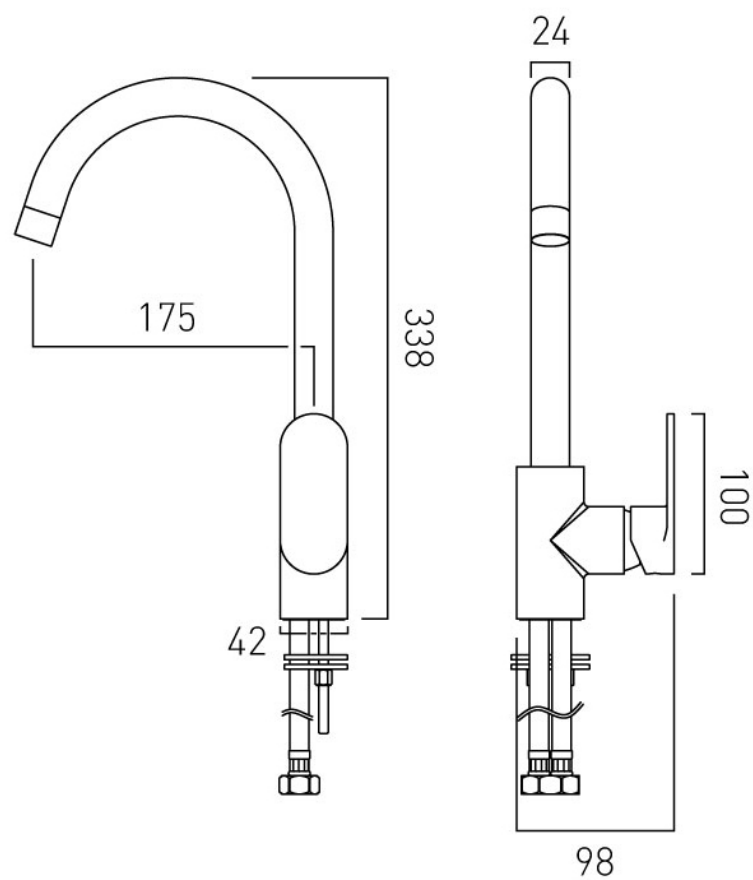
where inspiration flows
taps | showering | accessories



TECHNICAL DRAWING

COLLECTION: METIZ

PRODUCT CODE: AX-MET-150-CP



tel: 01934 744466
email: sales@vado.com
www.vado.com

where inspiration flows
taps | showering | accessories

