

SPECIFICATION SHEET

COLLECTION: OTHER

PRODUCT CODE: AX-CUC-1050-CP



DESCRIPTION:

Base
mono sink mixer
deck mounted
with swivel spout
cold ceramic cartridge C-201-RTC
hot ceramic cartridge C-201-LTC
2 x 1/2" nut x 400mm flexipipe connections
minimum operating pressure 0.2 bar LP

FINISH:

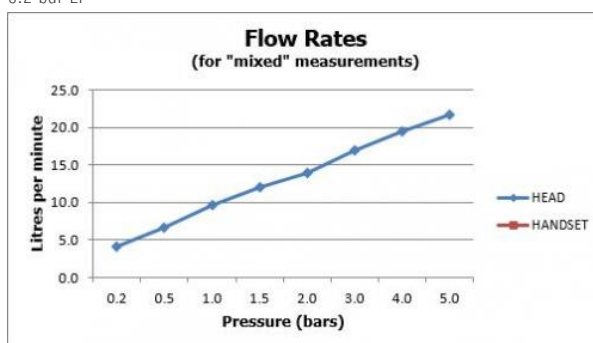
Chrome

FLOW REGULATOR:

FR-100/5-PLA

MINIMUM OPERATING PRESSURE:

0.2 bar LP



tel: 01934 744466
email: sales@vado.com
www.vado.com

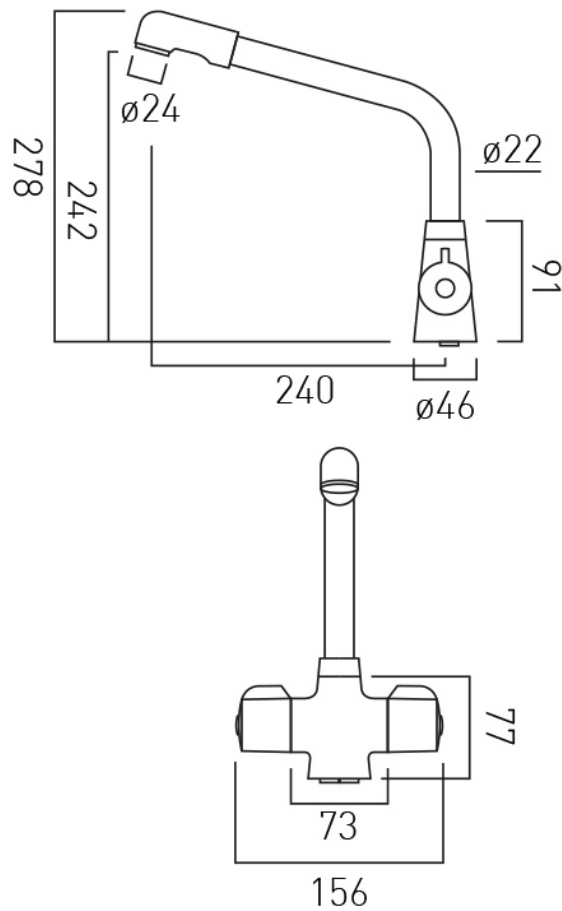
where inspiration flows
taps | showering | accessories



TECHNICAL DRAWING

COLLECTION: OTHER

PRODUCT CODE: AX-CUC-1050-CP



tel: 01934 744466
email: sales@vado.com
www.vado.com

where inspiration flows
taps | showering | accessories

