

# SPECIFICATION SHEET

**COLLECTION:** MATRIX

**PRODUCT CODE:** AX-MAT-150-CP



**DESCRIPTION:**

mono sink mixer  
single lever  
deck mounted  
with swivel spout  
with water flow aerator  
ceramic cartridge CAR-K40A/MAT  
2 x 1/2" nut x 400mm flexipipe connections  
deck mount drill hole diameter 35mm  
minimum operating pressure 0.2 bar LP

**FINISH:**

Chrome

**FLOW REGULATOR:**

FR-100/5-PLA

**MINIMUM OPERATING PRESSURE:**

0.2 bar LP

tel: 01934 744466  
email: [sales@vado.com](mailto:sales@vado.com)  
[www.vado.com](http://www.vado.com)

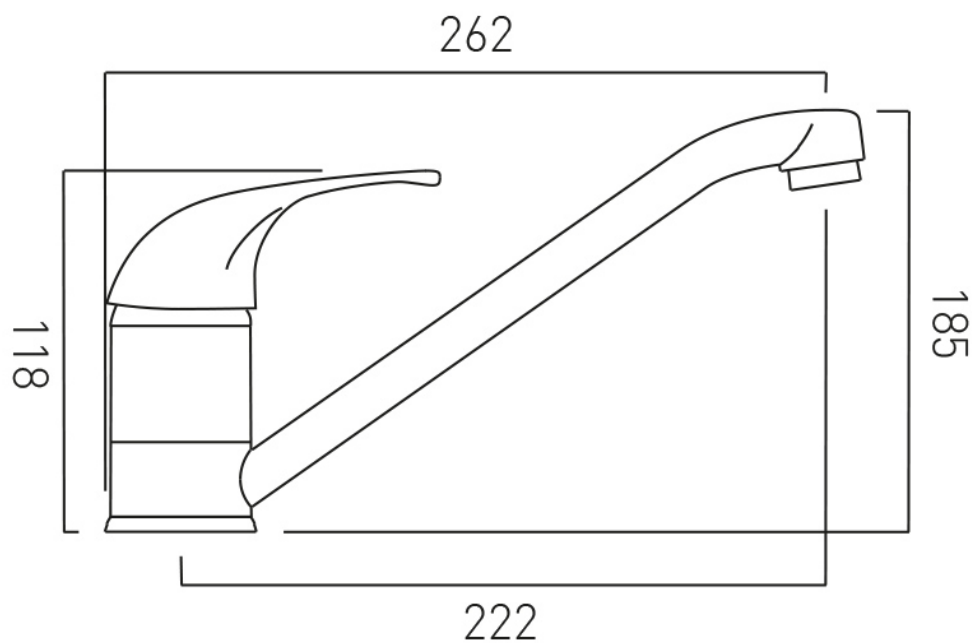
**where inspiration flows**  
taps | showering | accessories



# TECHNICAL DRAWING

**COLLECTION:** MATRIX

**PRODUCT CODE:** AX-MAT-150-CP



tel: 01934 744466  
email: [sales@vado.com](mailto:sales@vado.com)  
[www.vado.com](http://www.vado.com)

**where inspiration flows**  
taps | showering | accessories

