

---

# SPECIFICATION SHEET

**COLLECTION:** ASTRA

**PRODUCT CODE:** AX-AST-153-CP



**DESCRIPTION:**

Astra  
2 hole sink mixer  
deck mounted  
with swivel spout  
with water flow straightener  
cold ceramic cartridge C-201-RTC  
hot ceramic cartridge C-201-LTC  
standard cartridge for AST-1 only C-201-STD  
1/2" x 50mm threaded tail connections  
deck mount drill hole diameter 22mm  
minimum operating pressure 0.2 bar LP

**FINISH:**

Chrome

**MINIMUM OPERATING PRESSURE:**

0.2 bar LP

tel: 01934 744466  
email: [sales@vado.com](mailto:sales@vado.com)  
[www.vado.com](http://www.vado.com)

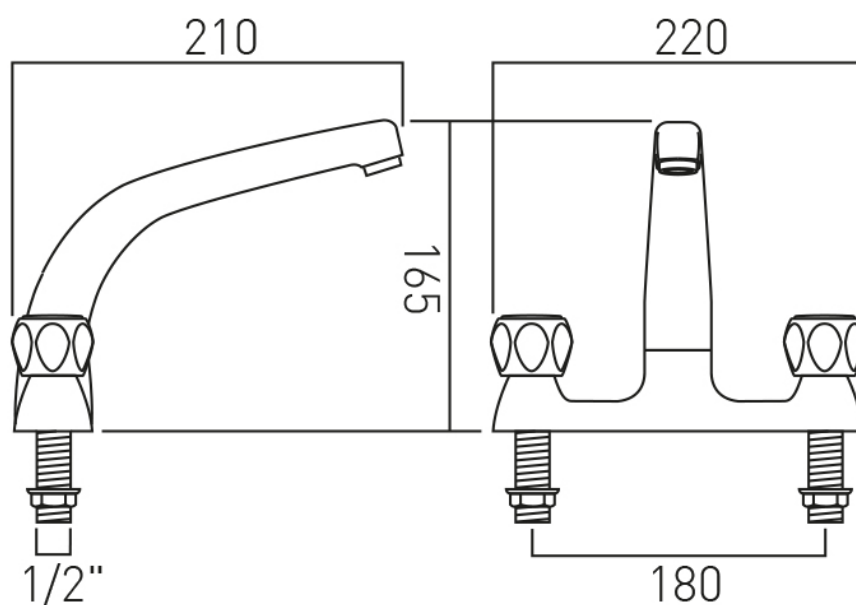
**where inspiration flows**  
taps | showering | accessories



# TECHNICAL DRAWING

**COLLECTION:** ASTRA

**PRODUCT CODE:** AX-AST-153-CP



tel: 01934 744466  
email: sales@vado.com  
www.vado.com

**where inspiration flows**  
taps | showering | accessories

