

SPECIFICATION SHEET

COLLECTION: VICTORIANA

PRODUCT CODE: WG-16202A-C/P



DESCRIPTION:

rigid riser
with 200mm (8") fixed shower head
wall mounted
1/2" x captive nut
minimum operating pressure 1.0 bar MP

FINISH:

Chrome

FLOW REGULATOR:

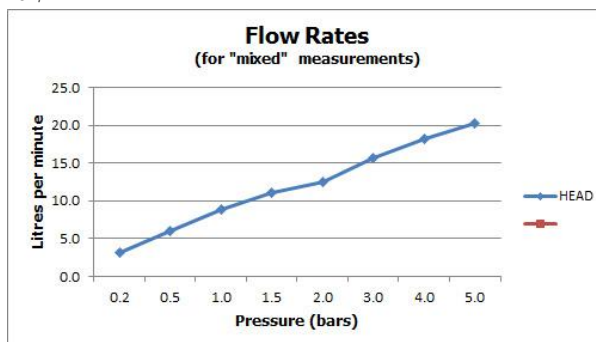
FR-SHOWER/9-C/P

MINIMUM OPERATING PRESSURE:

1.0 bar MP

FLOW RATE AT 3.0 BAR FLOW PRESSURE:

16 l/min



tel: 01934 744466
email: sales@vado.com
www.vado.com

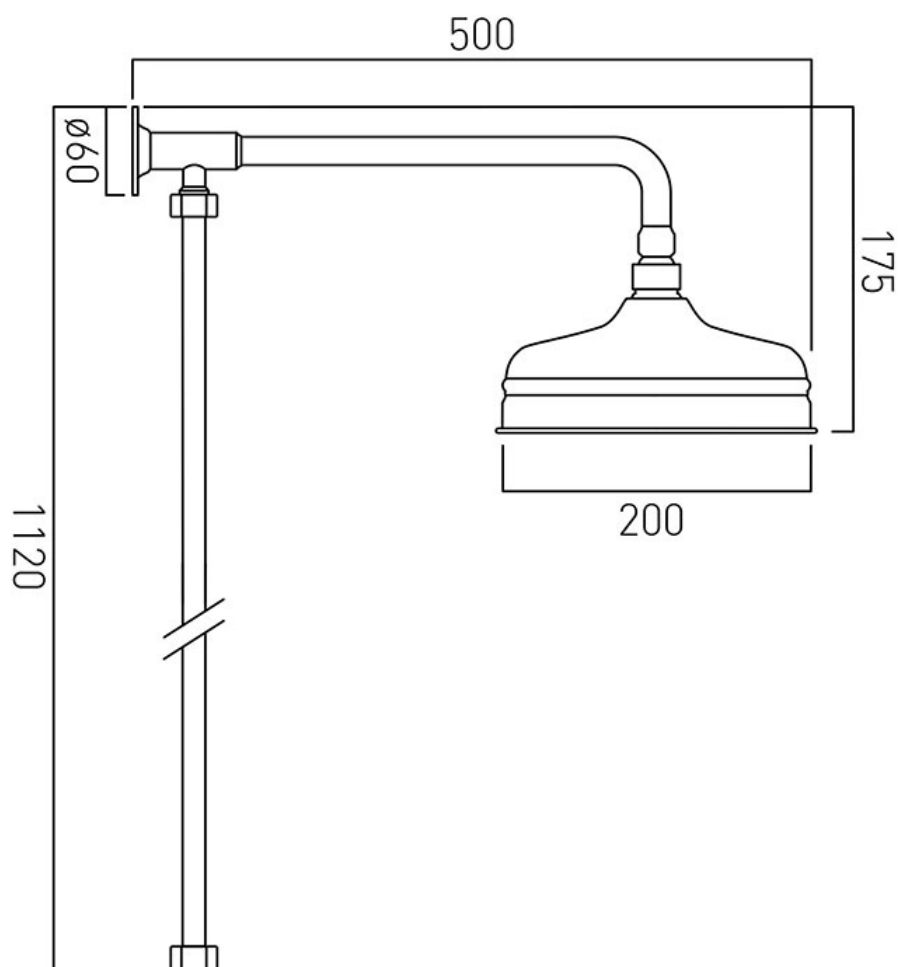
where inspiration flows
taps | showering | accessories



TECHNICAL DRAWING

COLLECTION: VICTORIANA

PRODUCT CODE: WG-16202A-C/P



tel: 01934 744466
email: sales@vado.com
www.vado.com

where inspiration flows
taps | showering | accessories

