
SPECIFICATION SHEET

COLLECTION:

PRODUCT CODE: WG-16204A-C/P



DESCRIPTION:

rigid riser kit
with diverter
with integral outlet
black or white handle option
nut and olive to 1/2" female x 30mm
threaded connections
200mm (8") round shower head
single function shower handset
minimum operating pressure 1.0 bar MP

FINISH:

Chrome

FLOW REGULATOR:

FR-SHOWER/9-C/P

MINIMUM OPERATING PRESSURE:

1.0 bar MP

tel: 01934 744466
email: sales@vado.com
www.vado.com

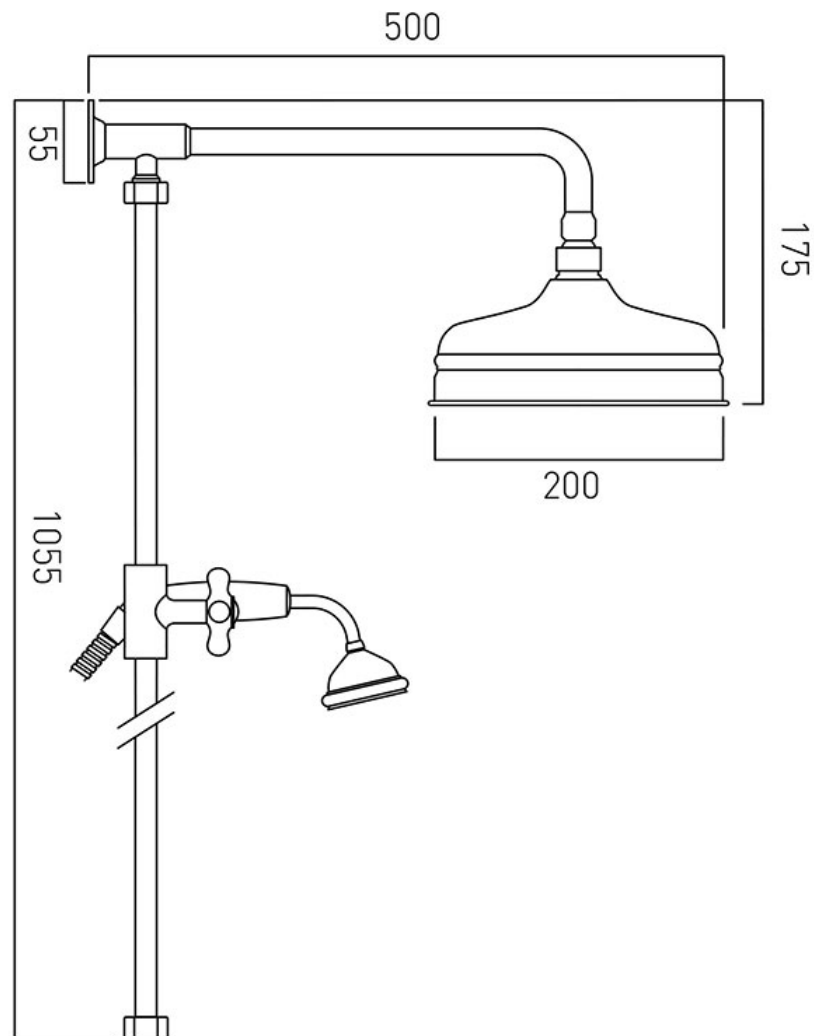
where inspiration flows
taps | showering | accessories



TECHNICAL DRAWING

COLLECTION:

PRODUCT CODE: WG-16204A-C/P



tel: 01934 744466
email: sales@vado.com
www.vado.com

where inspiration flows
taps | showering | accessories

