

# SPECIFICATION SHEET

**COLLECTION:** VICTORIANA

**PRODUCT CODE:** WSB-149-3/4-C/P



**DESCRIPTION:**

exposed 1 outlet thermostatic shower valve 3/4"  
wall mounted  
thermostatic cartridge HUB-001A-WAX  
flow cartridge HUB-002B-3/4  
2 x 3/4" x 20mm threaded connections  
1 x 1/2" nut and olive outlet  
minimum operating pressure 0.2 bar LP

**FINISH:**

Chrome

**FLOW REGULATOR:**

FR-SHOWER/9-C/P

**MINIMUM OPERATING PRESSURE:**

0.2 bar LP

**FLOW RATE AT 3.0 BAR FLOW PRESSURE:**

40.7 l/m

tel: 01934 744466  
email: [sales@vado.com](mailto:sales@vado.com)  
[www.vado.com](http://www.vado.com)

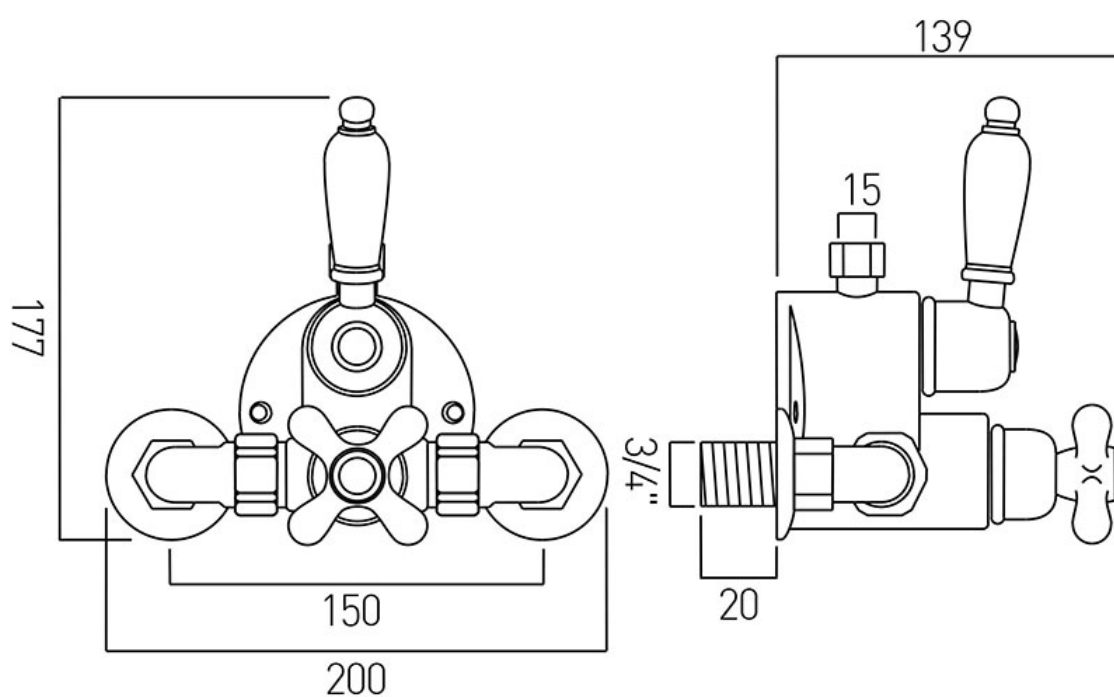
**where inspiration flows**  
taps | showering | accessories



# TECHNICAL DRAWING

**COLLECTION:** VICTORIANA

**PRODUCT CODE:** WSB-149-3/4-C/P



tel: 01934 744466  
email: sales@vado.com  
www.vado.com

**where inspiration flows**  
taps | showering | accessories

