

# SPECIFICATION SHEET

**COLLECTION:** ASTRA

**PRODUCT CODE:** AX-AST-100-CP



**DESCRIPTION:**

mono basin mixer  
deck mounted  
with pop-up waste  
with water flow straightener  
with water flow aerator  
cold ceramic cartridge C-201-RTC  
hot ceramic cartridge C-201-LTC  
standard cartridge for AST-1 only C-102-STD  
2 x 1/2" nut x 400mm flexipipe connections  
deck mount drill hole diameter 35mm  
minimum operating pressure 0.2 bar LP

**FINISH:**

Chrome

**FLOW REGULATOR:**

FR-100/5-PLA

**MINIMUM OPERATING PRESSURE:**

0.2 bar LP

**FLOW RATE AT 3.0 BAR FLOW PRESSURE:**

16 l/m

tel: 01934 744466  
email: [sales@vado.com](mailto:sales@vado.com)  
[www.vado.com](http://www.vado.com)

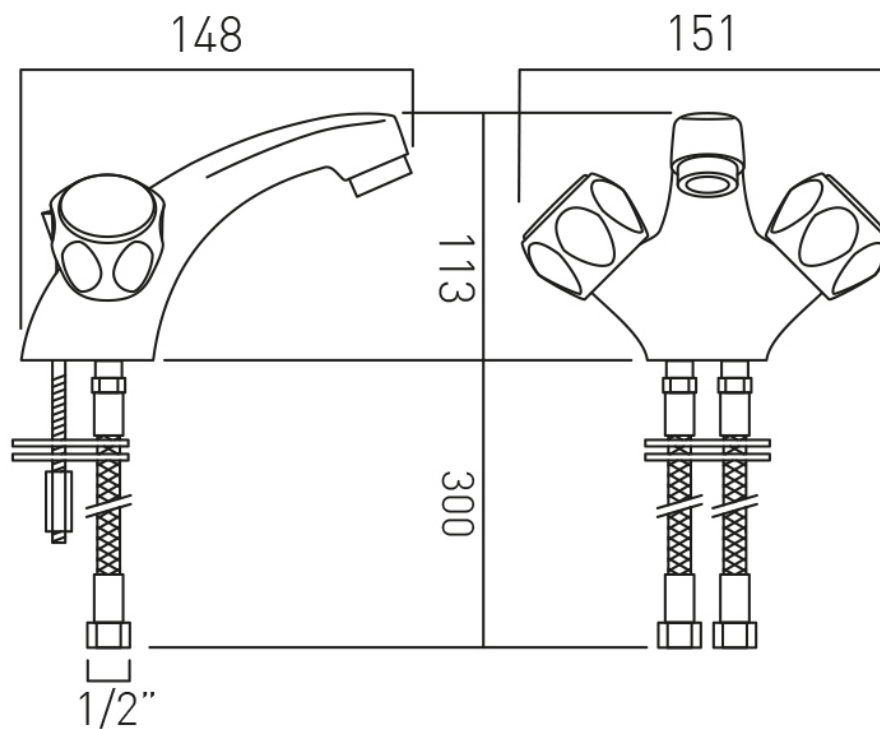
**where inspiration flows**  
taps | showering | accessories



# TECHNICAL DRAWING

**COLLECTION:** ASTRA

**PRODUCT CODE:** AX-AST-100-CP



tel: 01934 744466  
email: sales@vado.com  
www.vado.com

**where inspiration flows**  
taps | showering | accessories

