
SPECIFICATION SHEET

COLLECTION: ASTRA

PRODUCT CODE: AX-AST-137-CP



DESCRIPTION:

2 hole bath filler
deck mounted
with water flow straightener
cold ceramic cartridge C-201-RTC
hot ceramic cartridge C-201-LTC
standard cartridge for AST-1 only: C-102-STD
2 x 3/4" male threaded connections
deck mount drill hole diameter 27mm
minimum operating pressure 0.2 bar LP

FINISH:

Chrome

MINIMUM OPERATING PRESSURE:

0.2 bar LP

tel: 01934 744466
email: sales@vado.com
www.vado.com

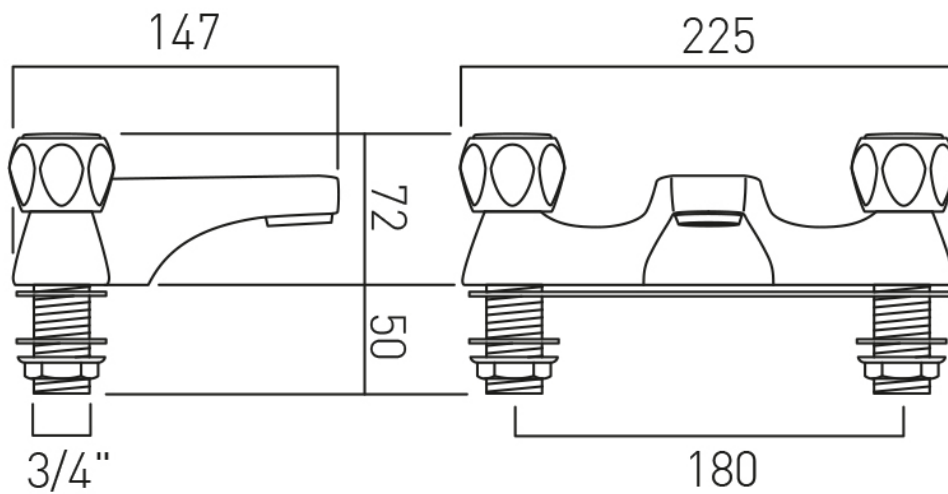
where inspiration flows
taps | showering | accessories



TECHNICAL DRAWING

COLLECTION: ASTRA

PRODUCT CODE: AX-AST-137-CP



tel: 01934 744466
email: sales@vado.com
www.vado.com

where inspiration flows
taps | showering | accessories

