

SPECIFICATION SHEET

COLLECTION: NURI

PRODUCT CODE: AX-NUR-149/RRK-CP



DESCRIPTION:

single lever
round exposed shower valve with integrated diverter
height adjustable rigid riser with single function shower handset
250mm round shower head
ceramic cartridge C-003-N35
minimum operating pressure 1.0 bar MP

FINISH:

Chrome

MINIMUM OPERATING PRESSURE:

1.0 bar MP



tel: 01934 744466
email: sales@vado.com
www.vado.com

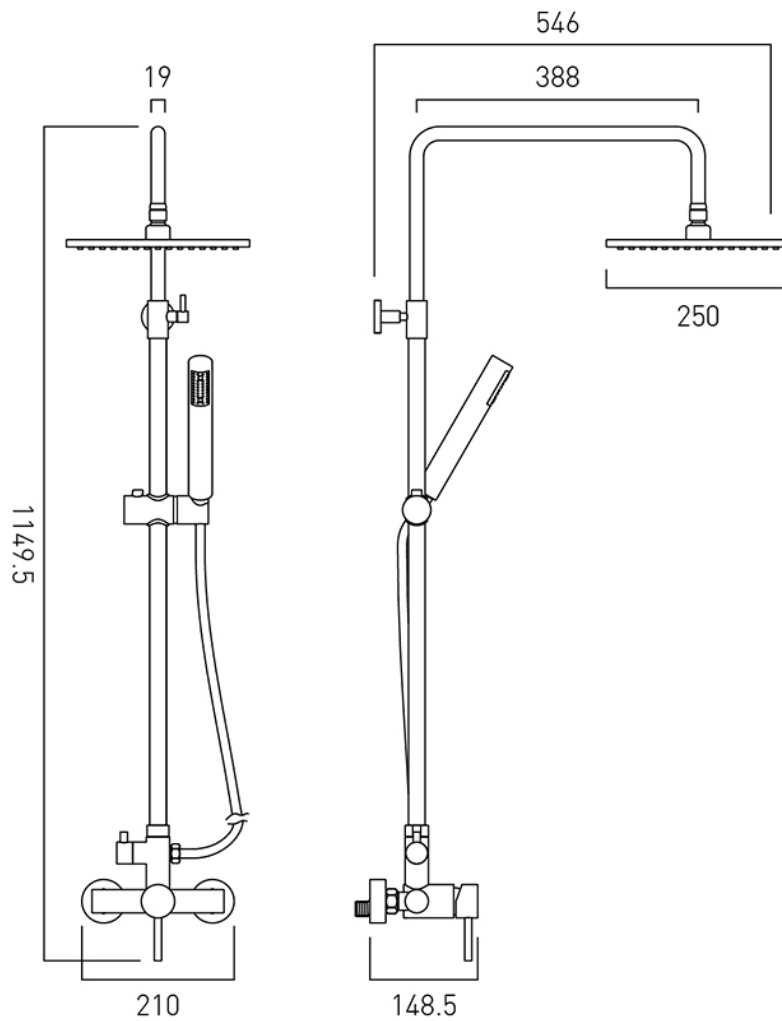
where inspiration flows
taps | showering | accessories



TECHNICAL DRAWING

COLLECTION: NURI

PRODUCT CODE: AX-NUR-149/RRK-CP



tel: 01934 744466
email: sales@vado.com
www.vado.com

where inspiration flows
taps | showering | accessories

