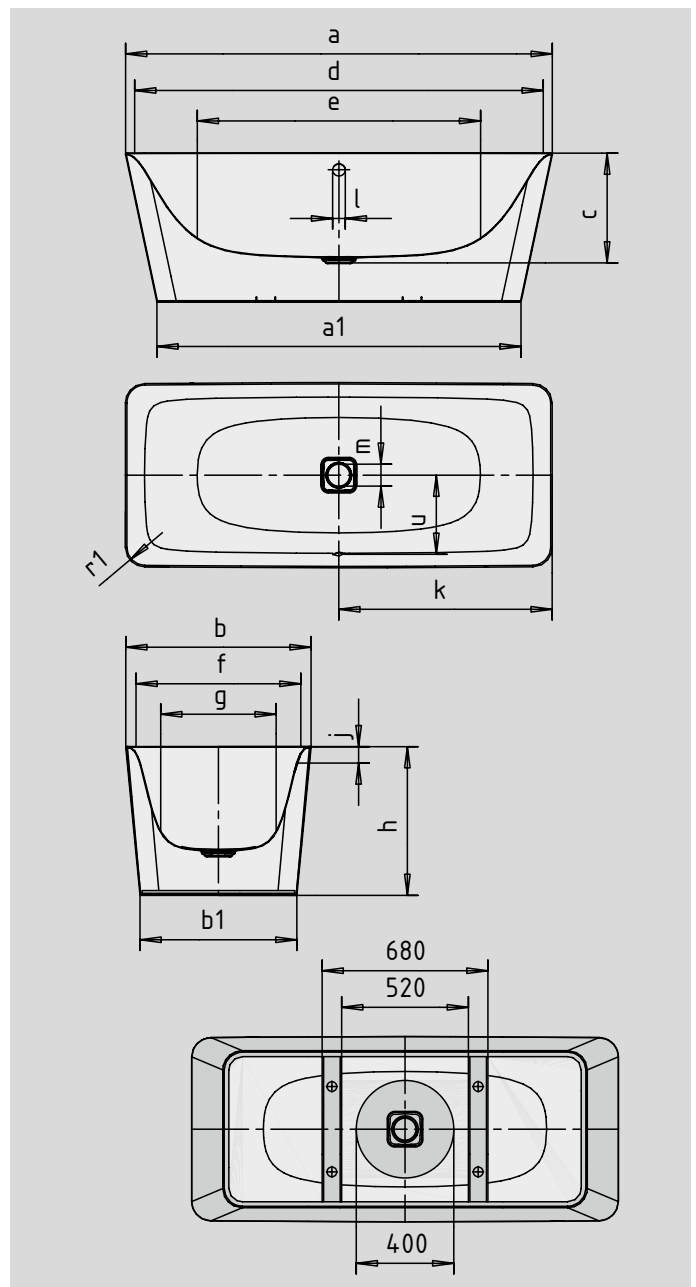


MEISTERSTÜCK INCAVA

- free-standing bath made of high-quality steel enamel
- enamel surface with exclusive easy-clean finish
- subtle tension between soft lines of the interior and sensual geometry of the exterior
- enamelled waste cover and overflow knob integrated in the bath design (also available with filling function)
- bathing à deux: two identical backrests and central waste
- made of KALDEWEI steel enamel
- designed by Anke Salomon



Similar illustrations



Model No.		1174
External length	a	1750 mm
External length (bottom)	a ₁	1493 mm
External width	b	760 mm
External width (bottom)	b ₁	643 mm
Depth	c	450 mm
Internal length (top)	d	1676 mm
Internal length (bottom)	e	1162 mm
Internal width (top)	f	676 mm
Internal width (bottom)	g	473 mm
Height of bath	h	610 mm
Distance top edge to centre of overflow hole	j	70 mm
Distance bath edge to centre of drain hole	k	875 mm
Diameter of overflow hole	l	52 mm
Diameter of drain hole	m	90 mm
Radius	r ₁	80 mm
Distance between centre holes	u	320 mm
Water volume** in litres		140 mm
Weight of the enamelled bath in kg		115
Waste connection diameter		40/50 mm
Fill fitting connection		1/2"

Subject to technical alterations, tolerances and errors. Similar illustrations.
 ** 70 litres displacement on average.

KALDEWEI