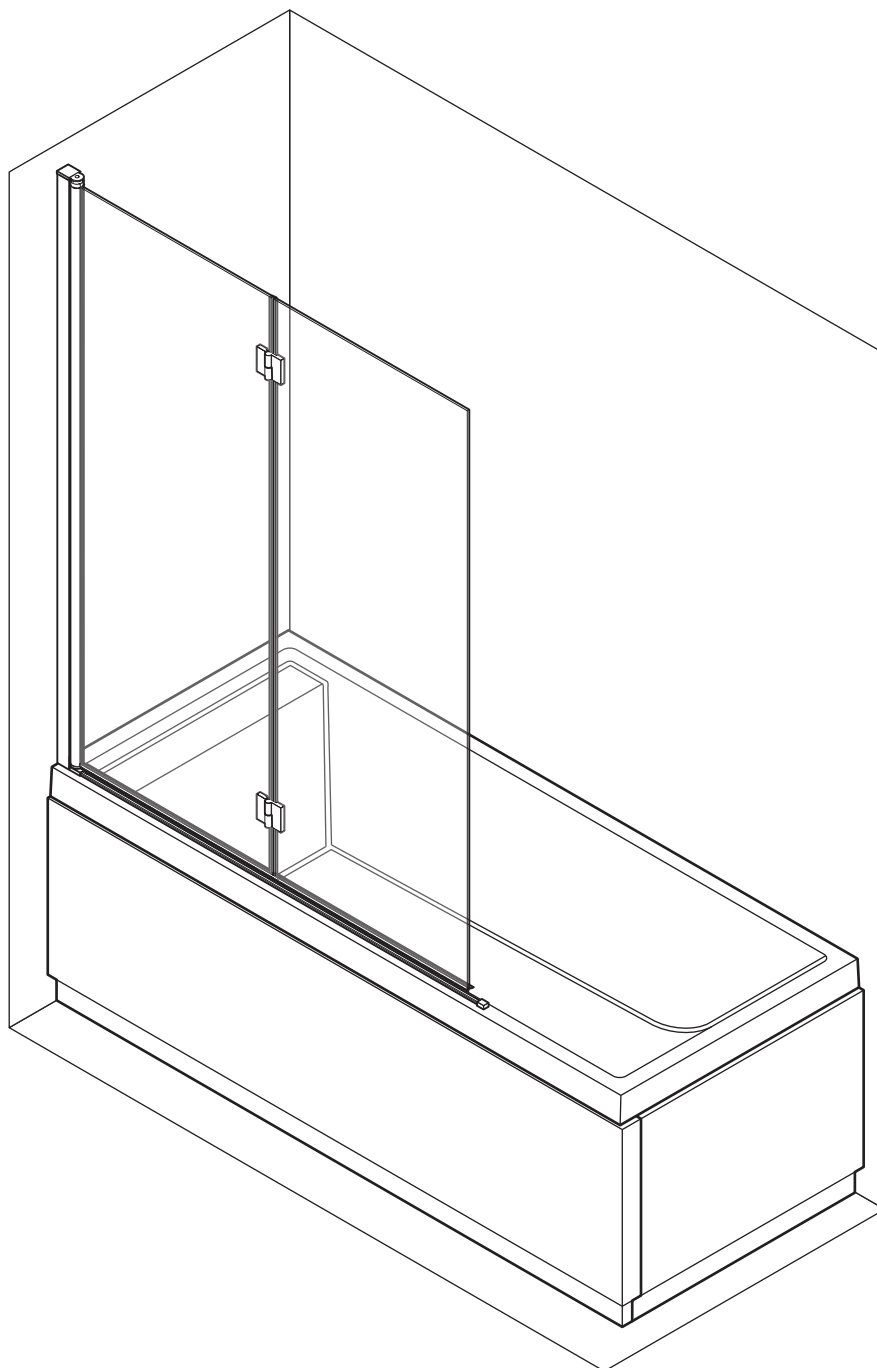
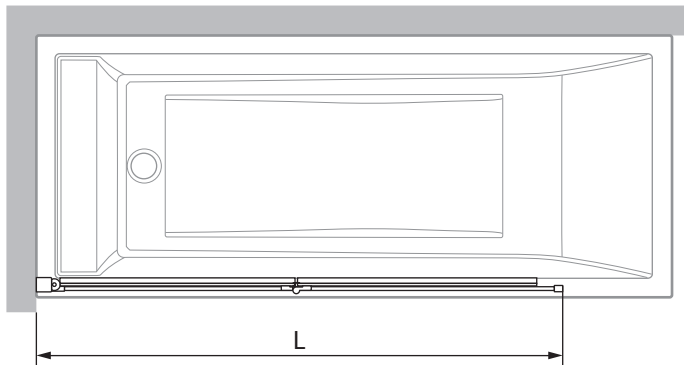
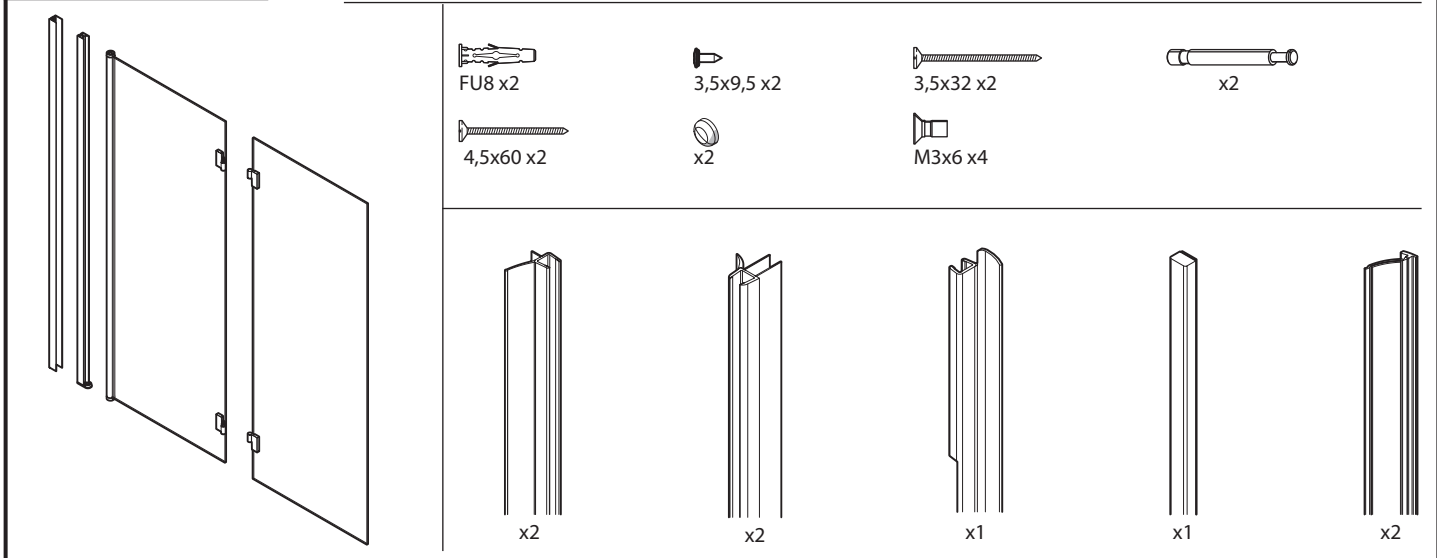
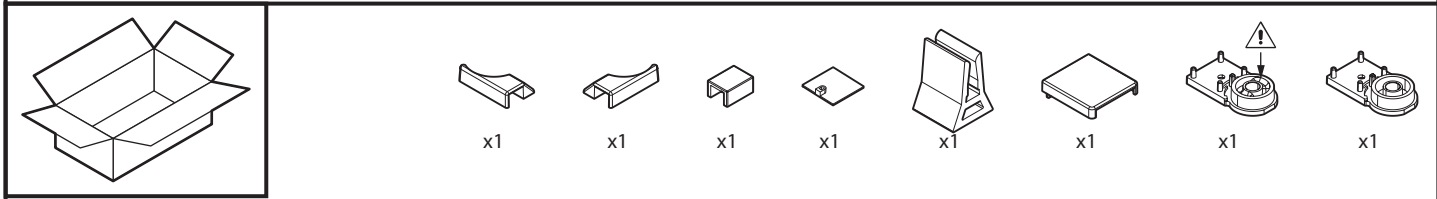
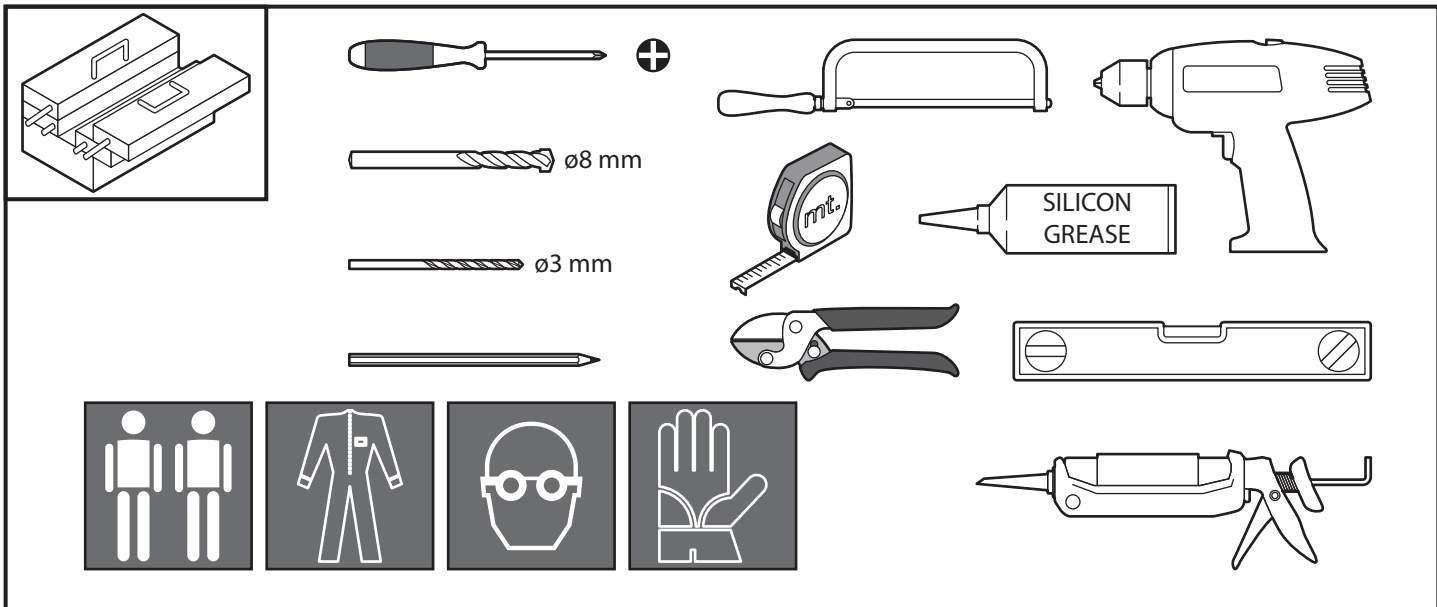
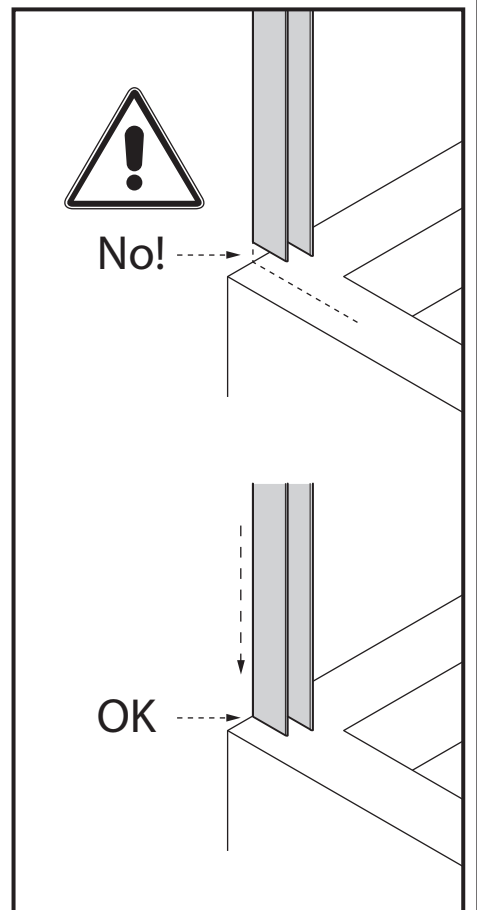
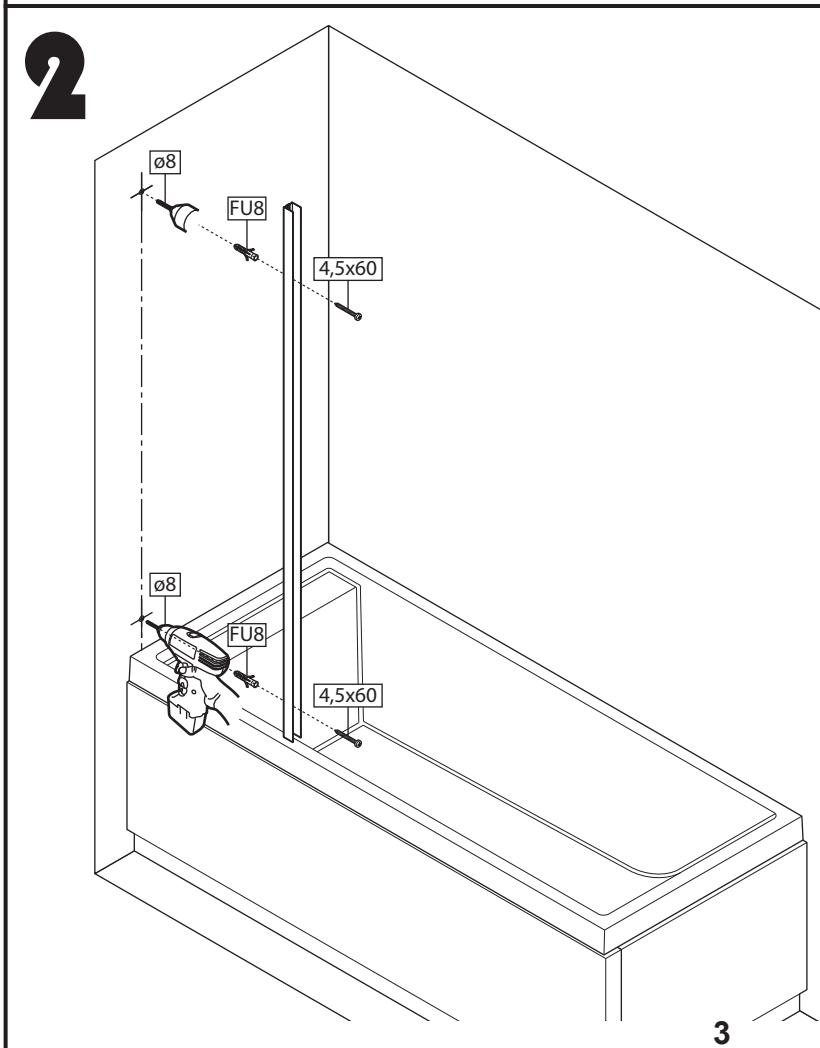
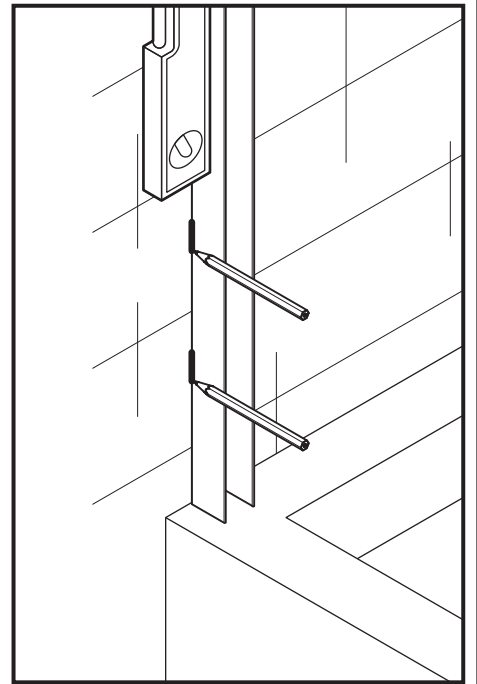
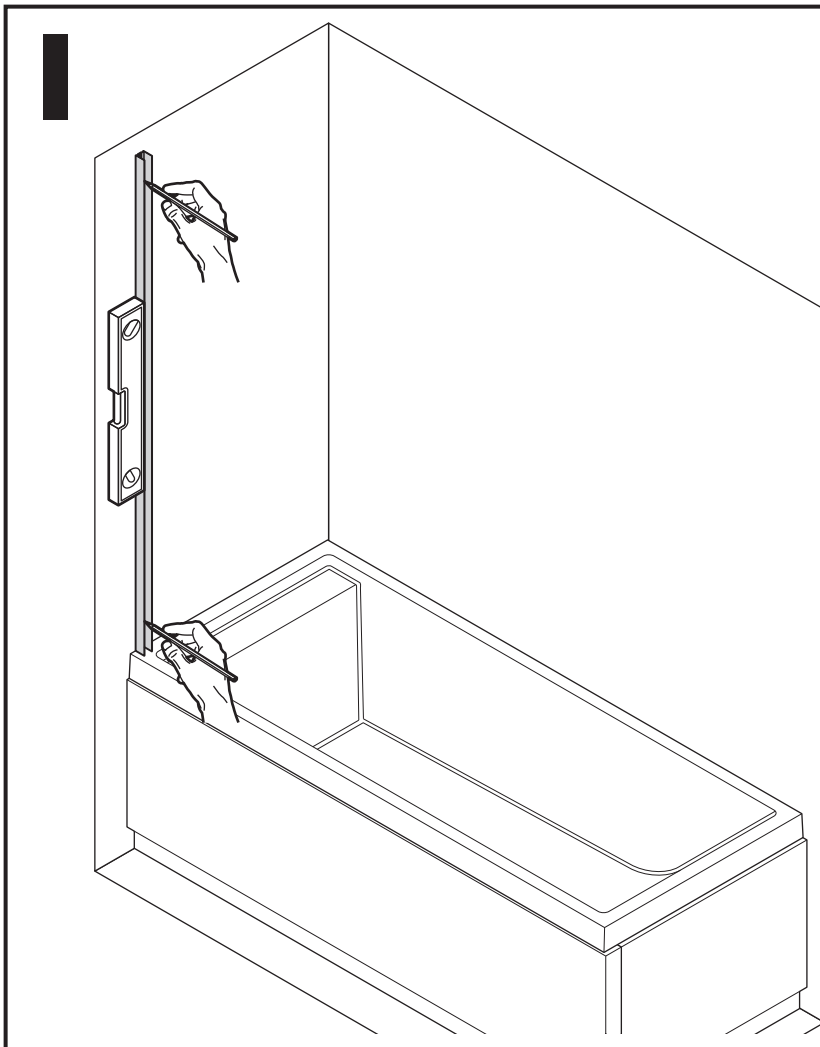


1BSV





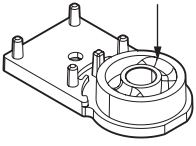
1BSV120D	L=120 cm
1BSV120S	L=120 cm



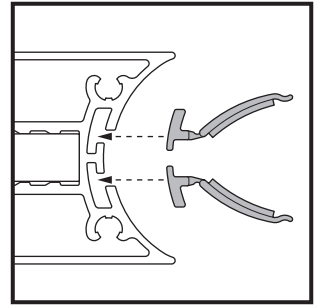
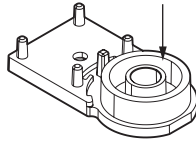
3



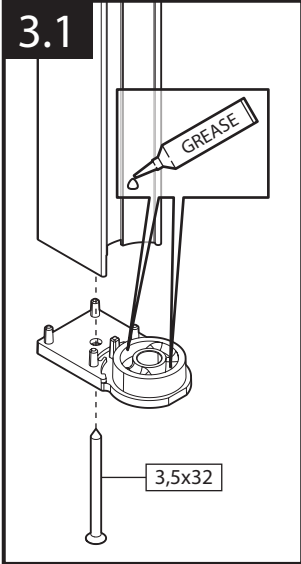
OK



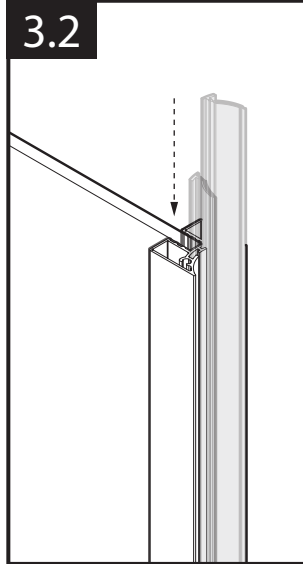
No!



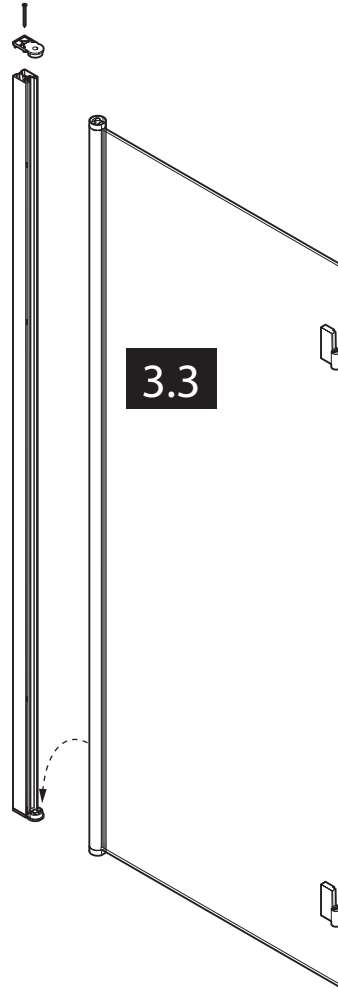
3.1



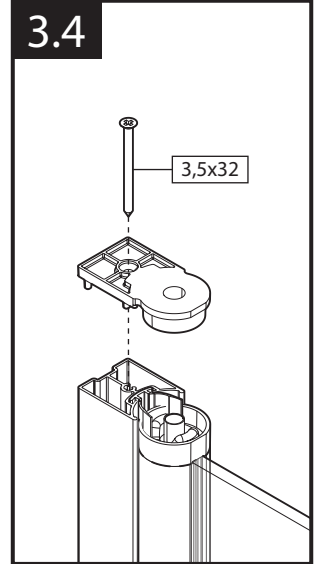
3.2



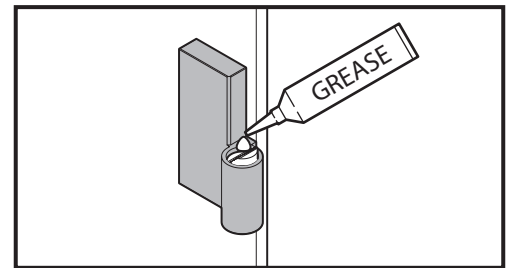
3.3



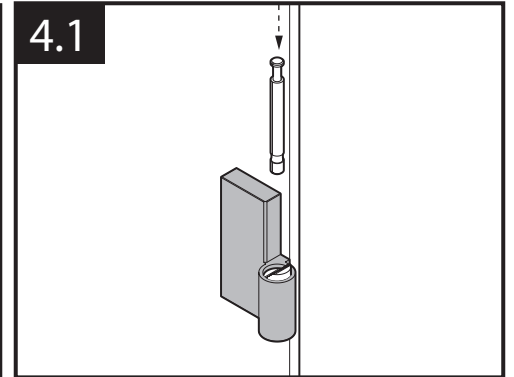
3.4



4

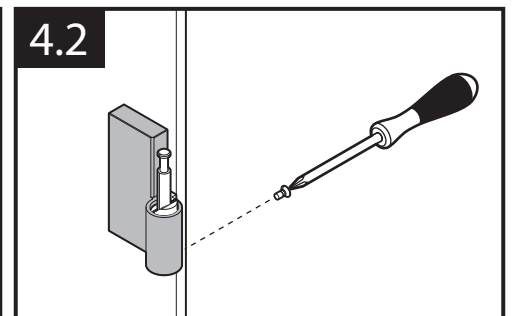


4.1



x4

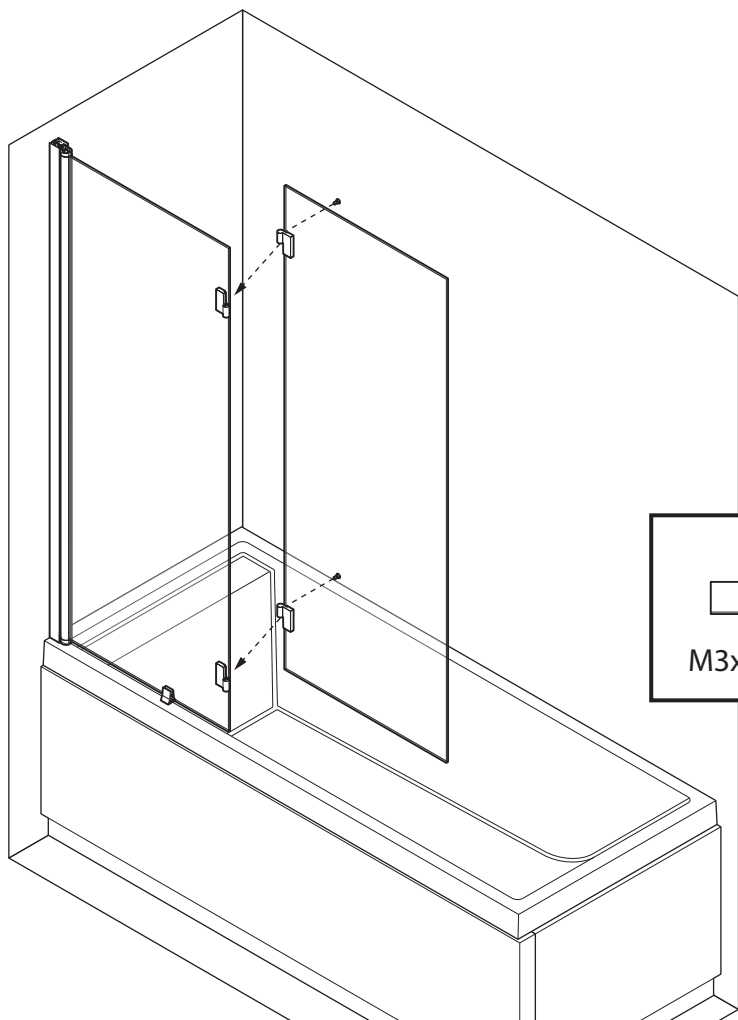
4.2



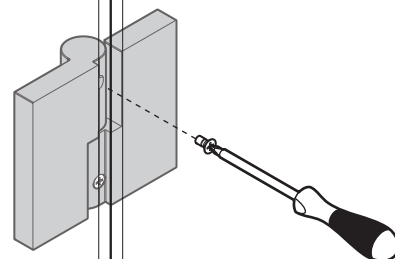
M3x6 x4

4

5

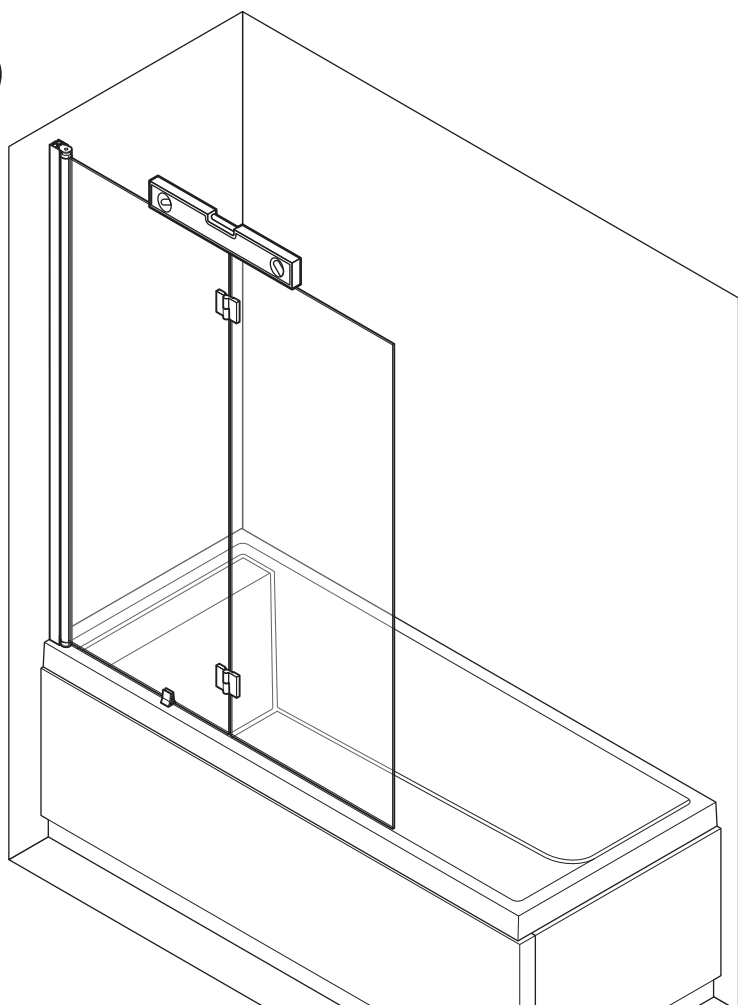


x2

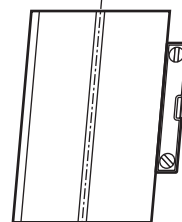


M3x6 x4

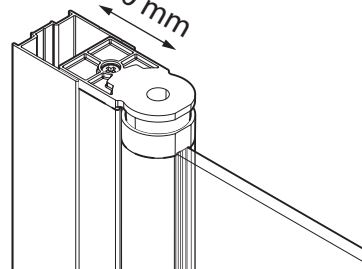
6



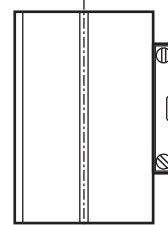
No!



30 mm



OK

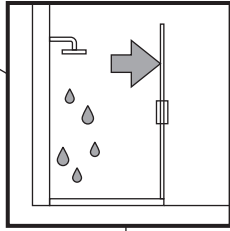


5

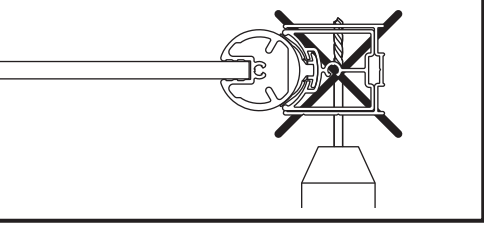
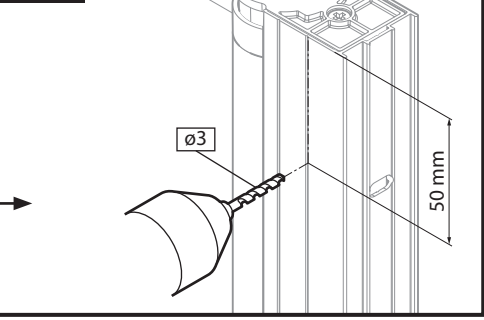
7

50 mm

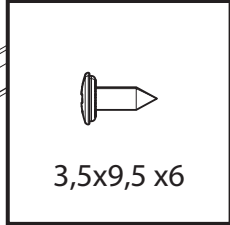
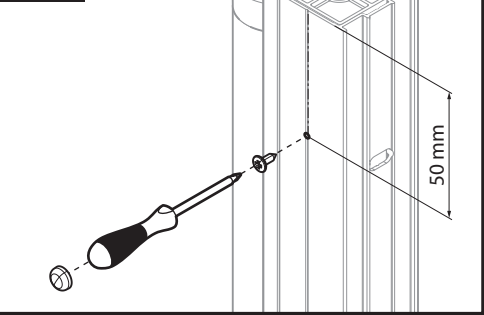
50 mm



7.1 x2

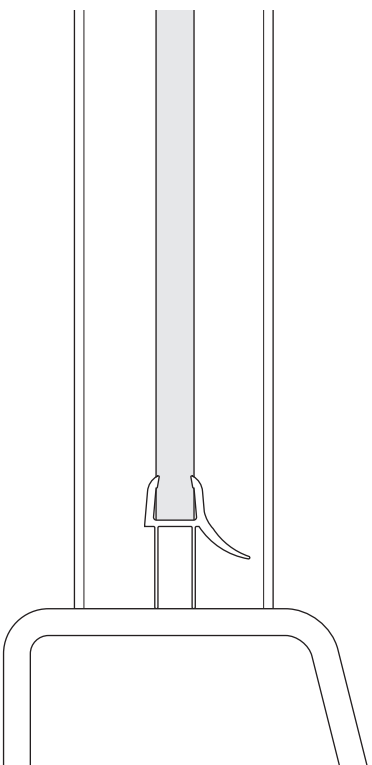


7.2 x2

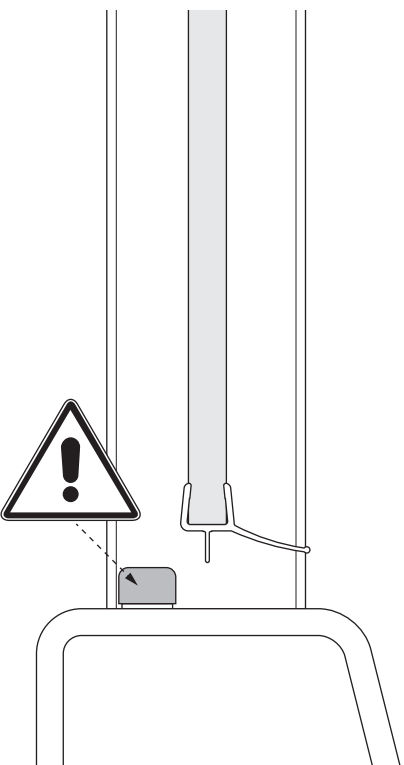


3,5x9,5 x6

A

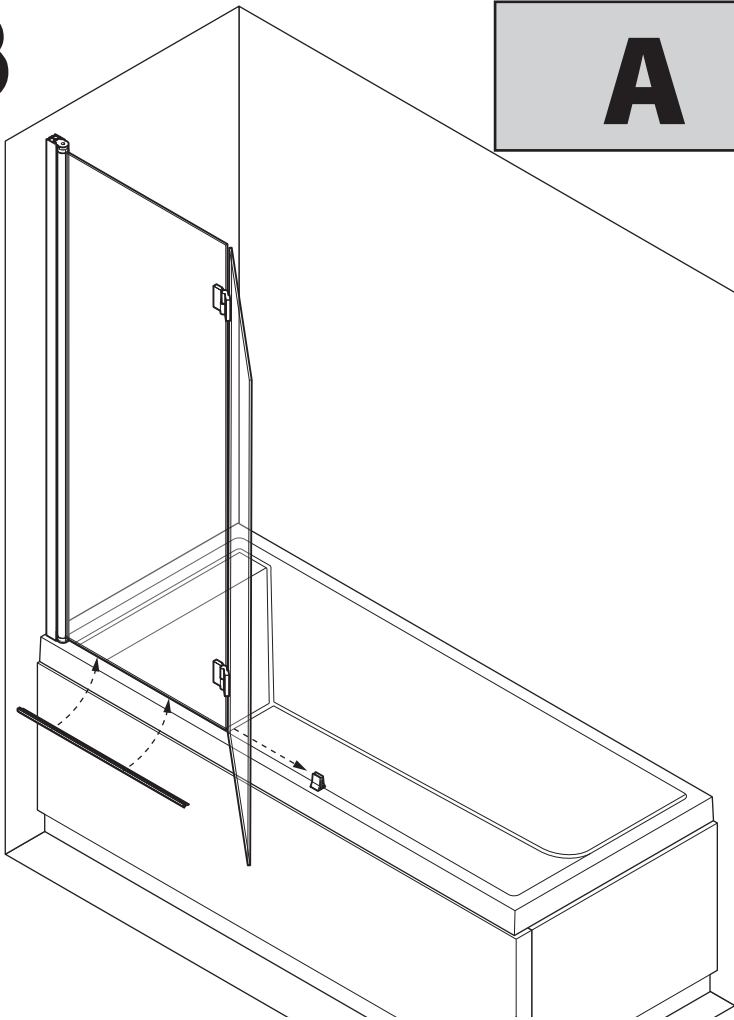


B

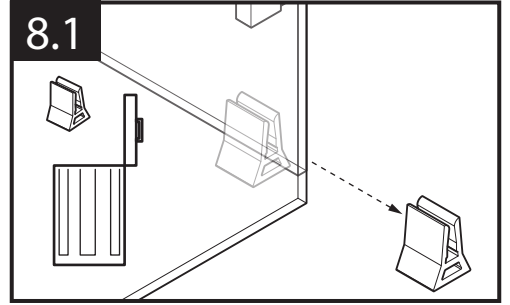


8

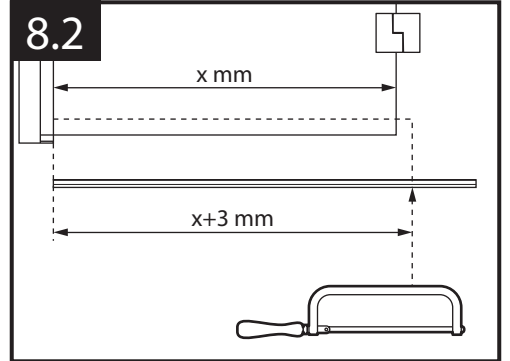
A



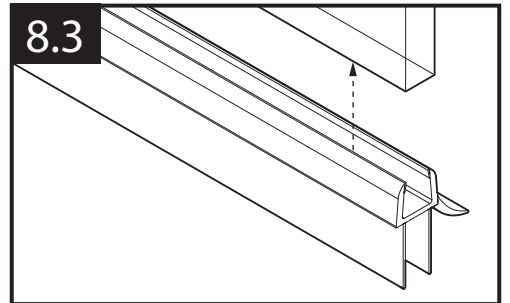
8.1



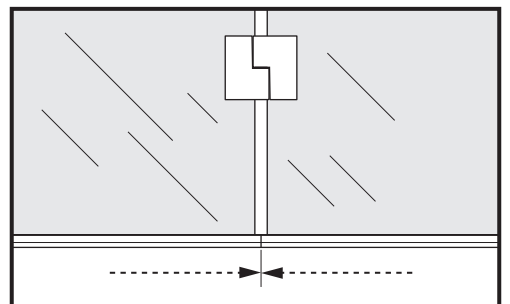
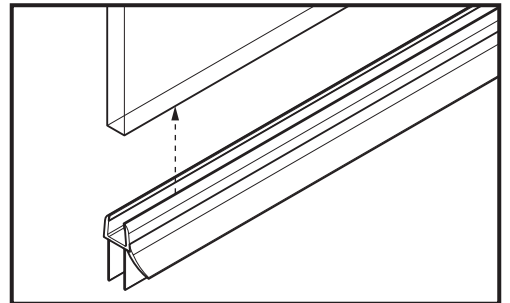
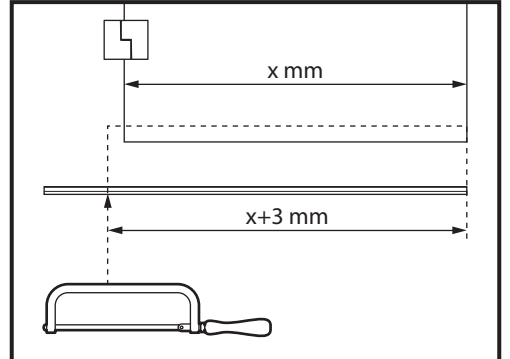
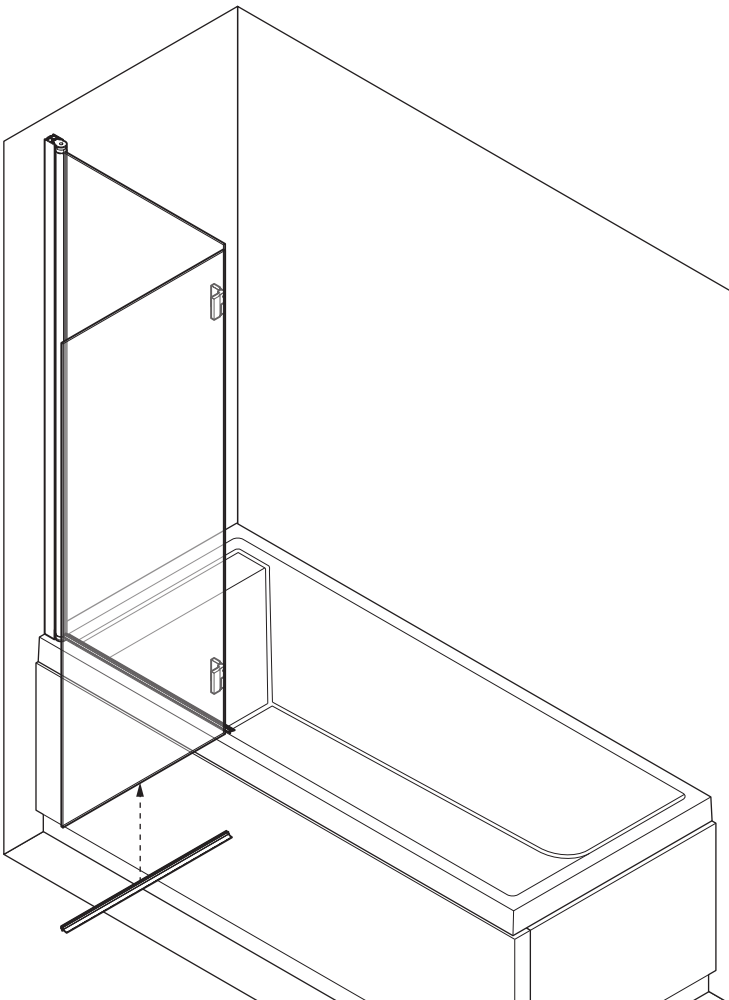
8.2



8.3



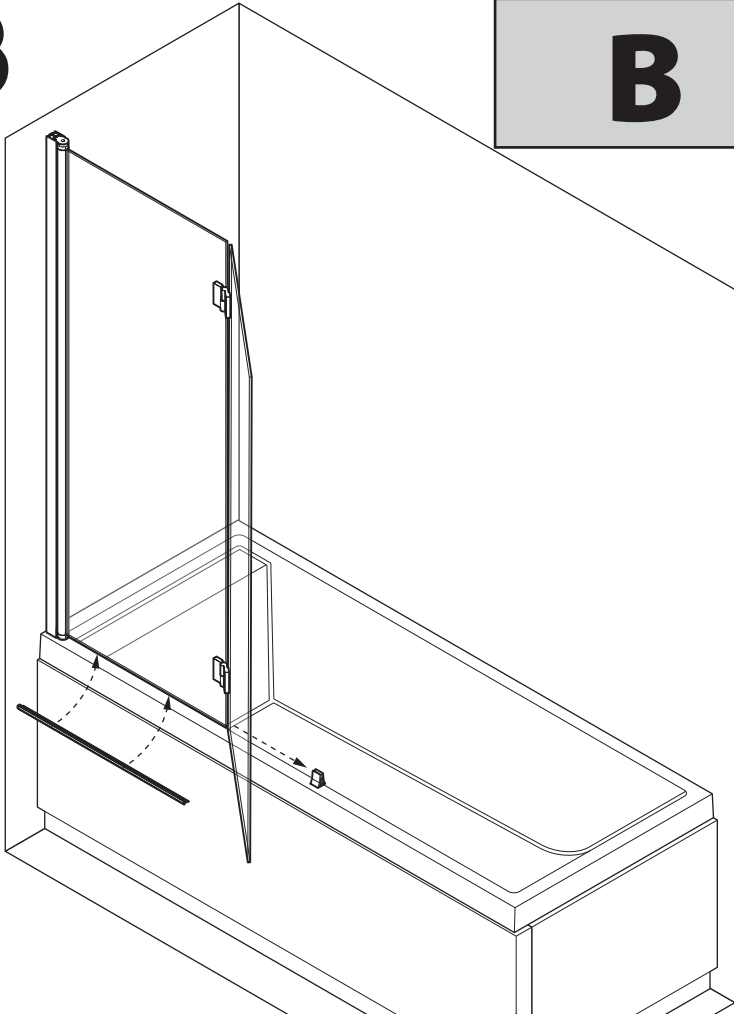
9



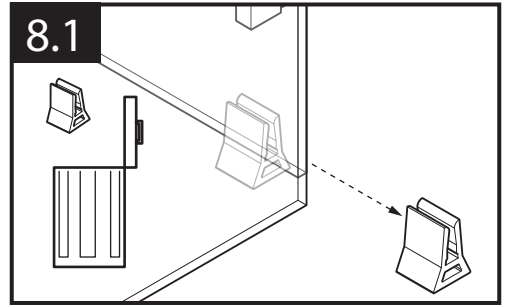
7

8

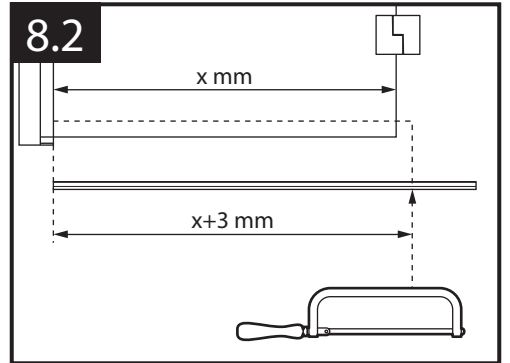
B



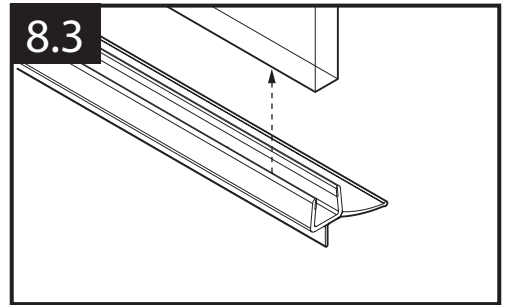
8.1



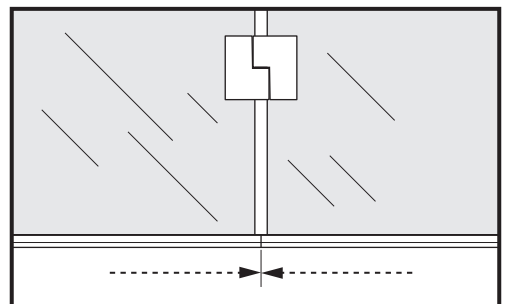
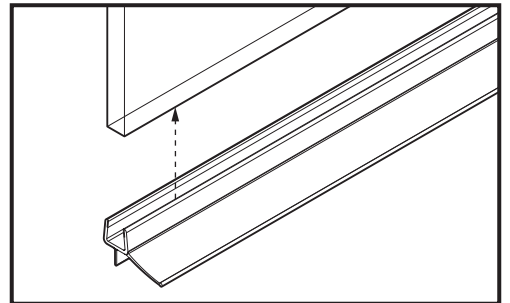
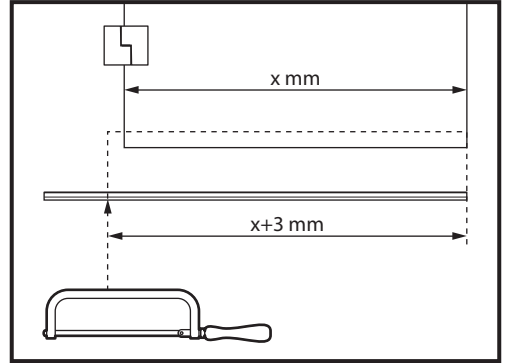
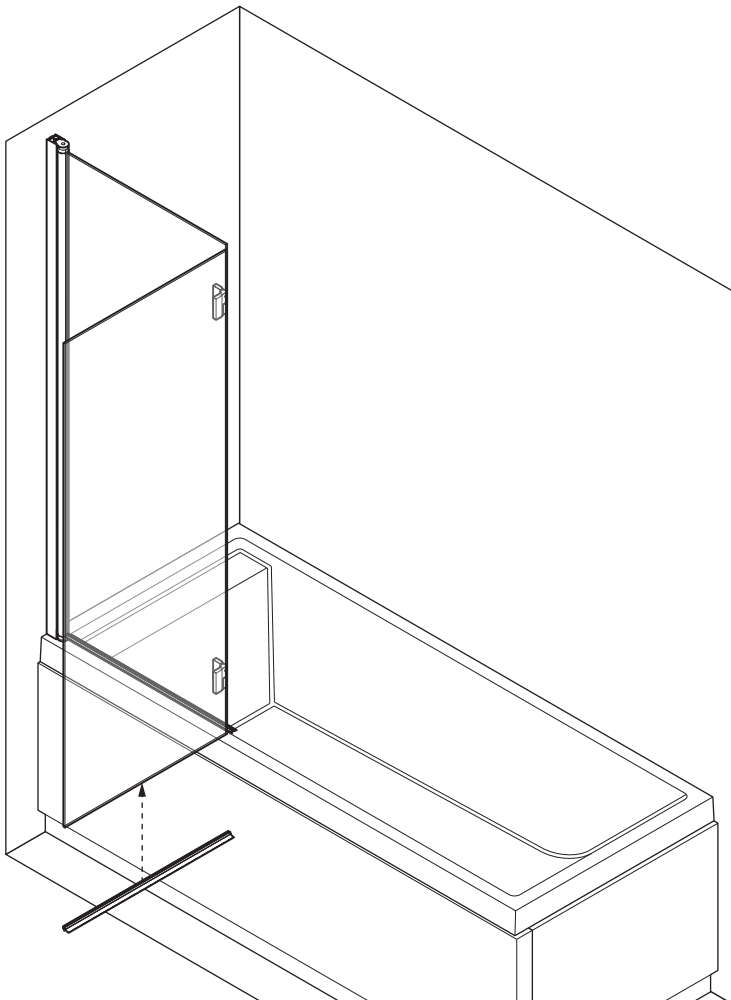
8.2



8.3

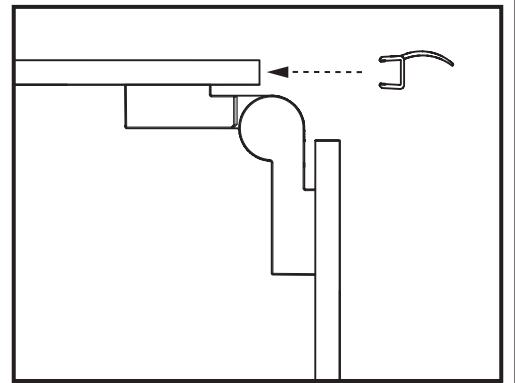
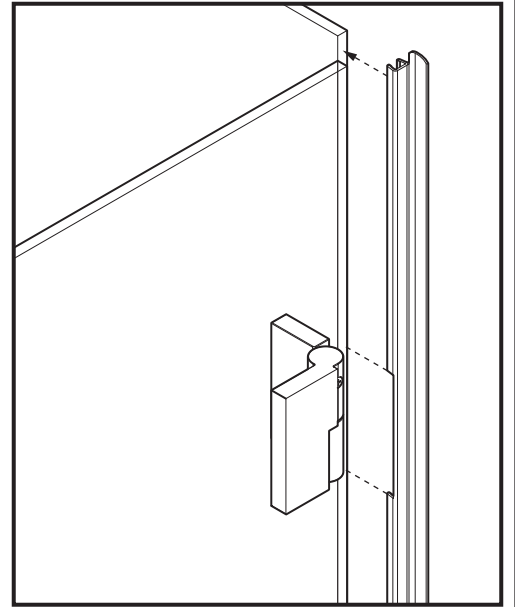
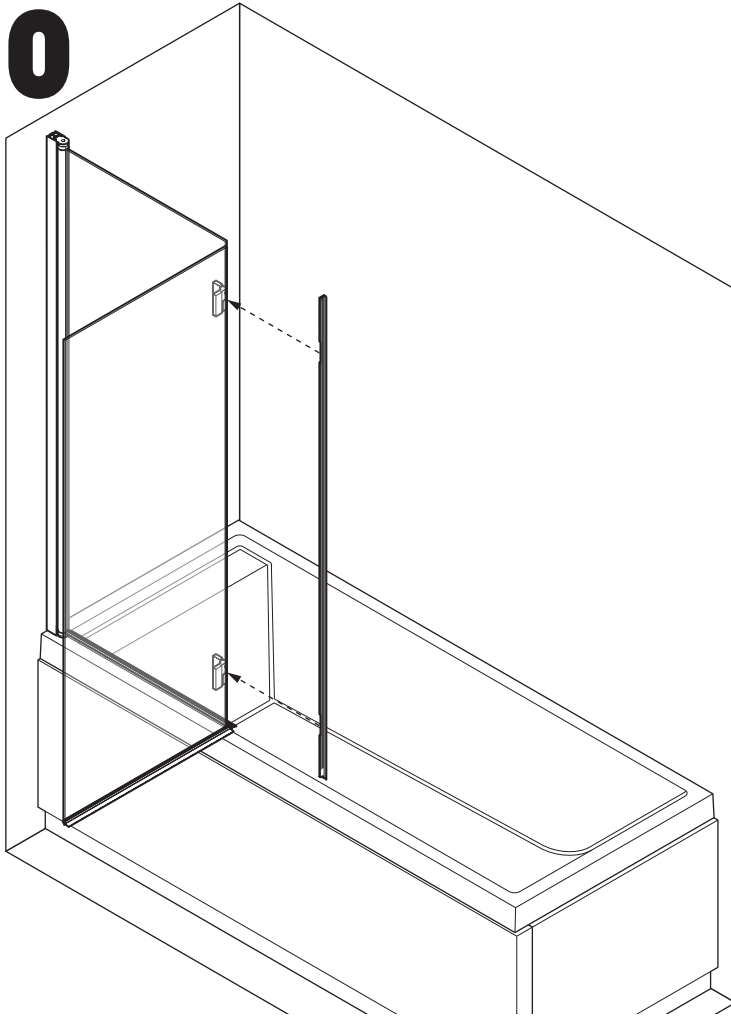


9

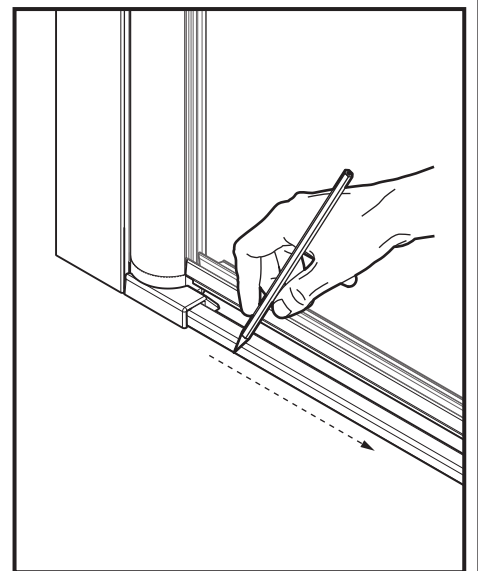
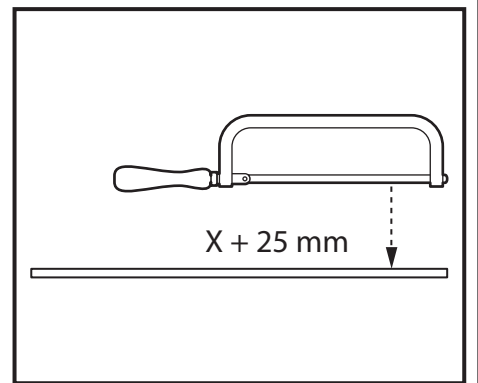
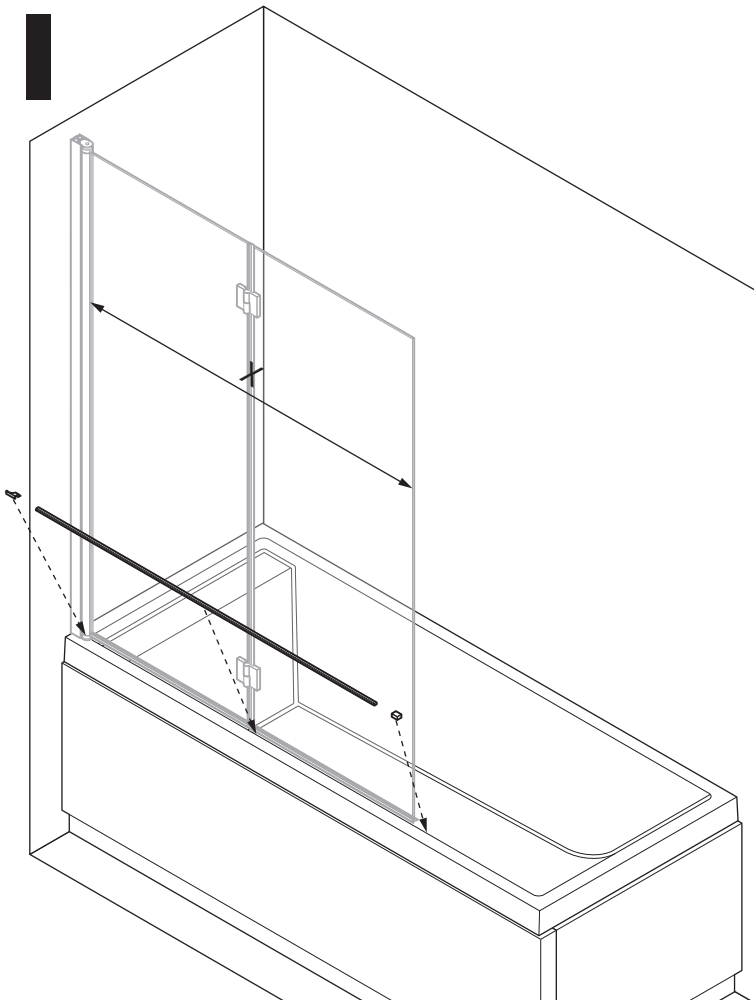


8

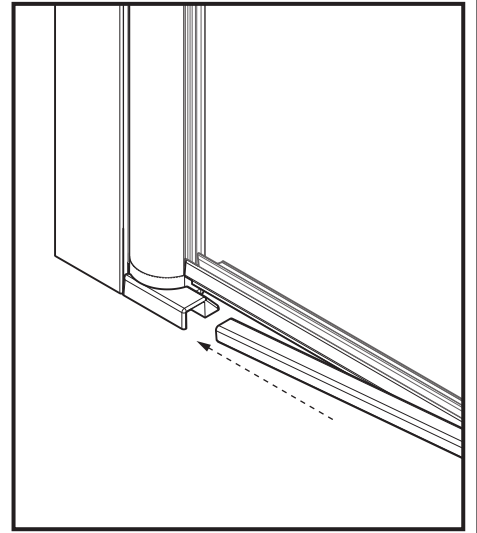
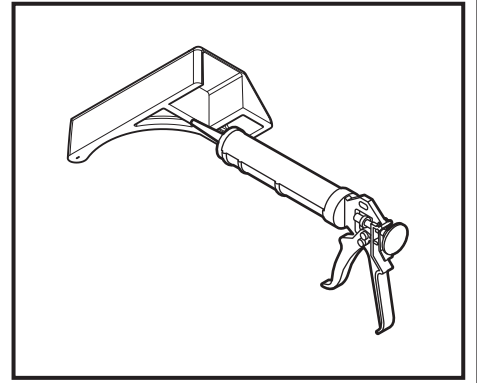
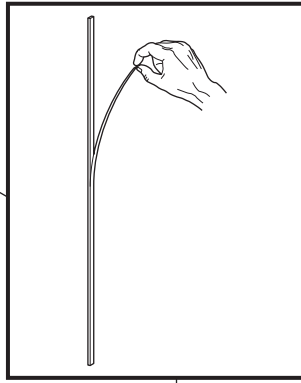
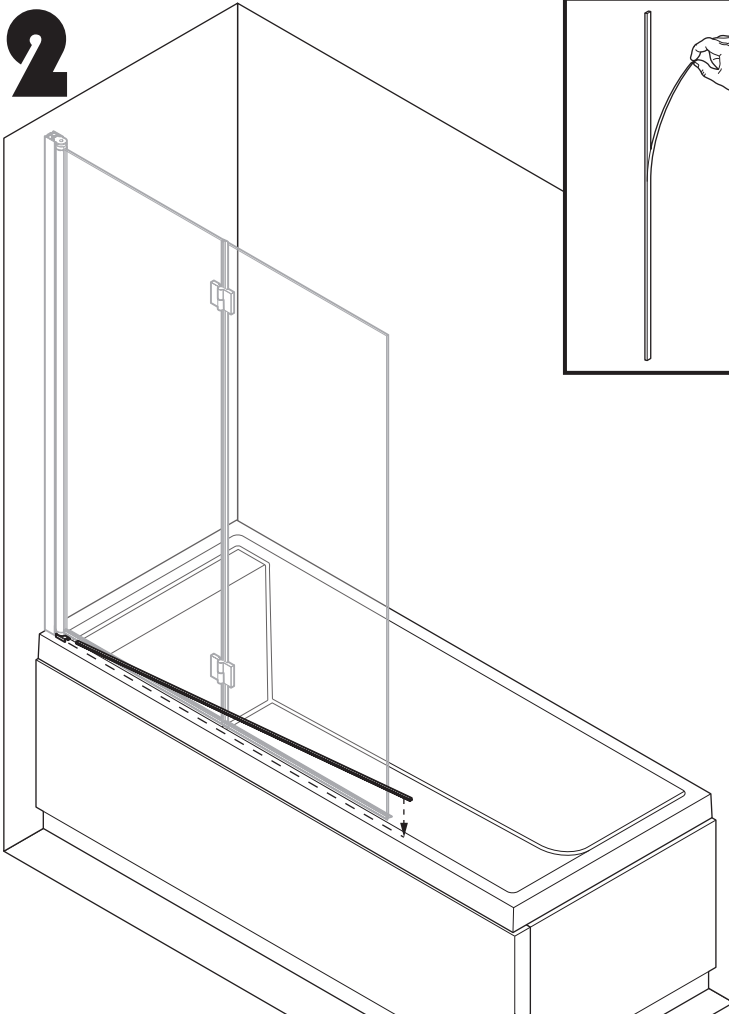
10



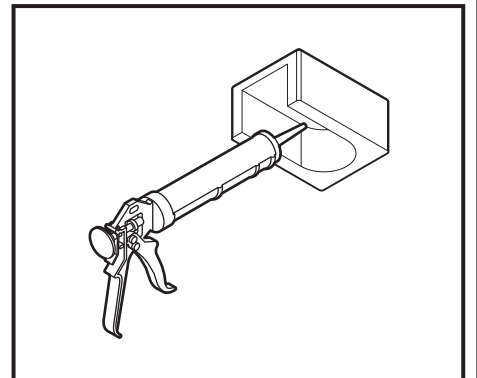
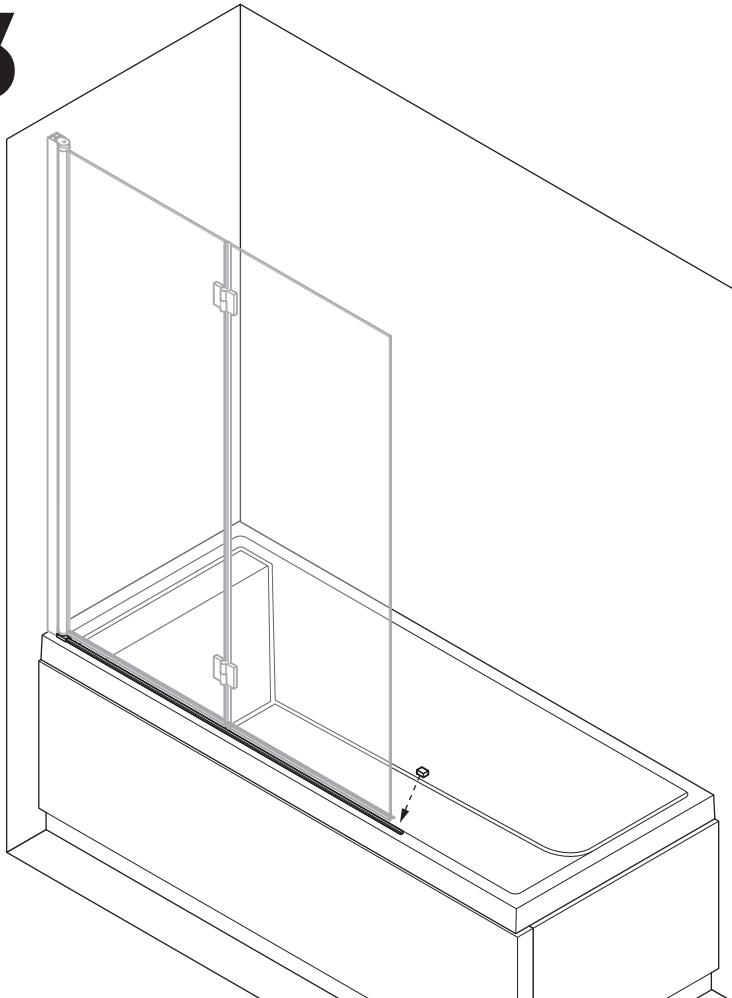
11



12



13



14

