

SPECIFICATION SHEET

COLLECTION: NEBULA

PRODUCT CODE: NEB-R0/30-SA-CP



DESCRIPTION:

Nebula
round single function shower head
with shower arm
wall mounted
300mm (12") diameter
minimum operating pressure 0.2 bar LP

FINISH:

Chrome

MINIMUM OPERATING PRESSURE:

0.2 bar LP



tel: 01934 744466
email: sales@vado.com
www.vado.com

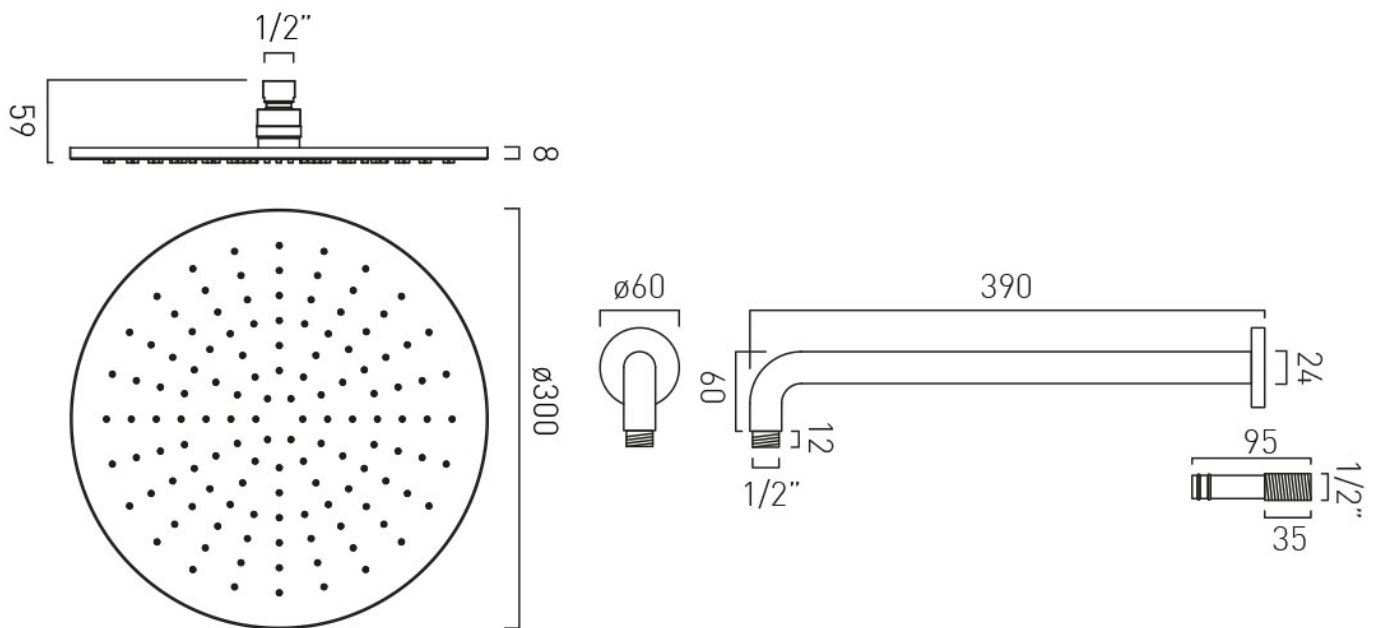
where inspiration flows
taps | showering | accessories



TECHNICAL DRAWING

COLLECTION: NEBULA

PRODUCT CODE: NEB-R0/30-SA-CP



tel: 01934 744466
email: sales@vado.com
www.vado.com

where inspiration flows
taps | showering | accessories

