
SPECIFICATION SHEET

COLLECTION:

PRODUCT CODE: PEX-460/UK-1.1/4-C/P



DESCRIPTION:

bottle trap
35mm x 400mm pipe connections
min-max vertical adjustment 50-140mm to outlet centre

FINISH:

Chrome

tel: 01934 744466
email: sales@vado.com
www.vado.com

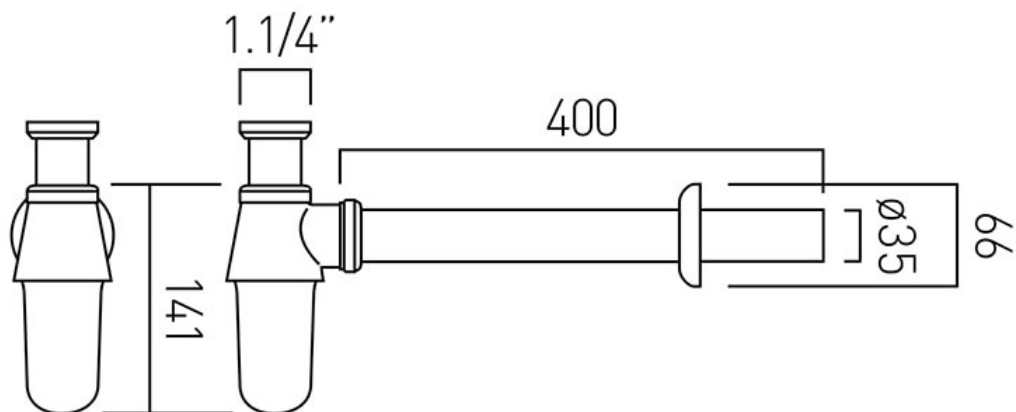
where inspiration flows
taps | showering | accessories



TECHNICAL DRAWING

COLLECTION:

PRODUCT CODE: PEX-460/UK-1.1/4-C/P



tel: 01934 744466
email: sales@vado.com
www.vado.com

where inspiration flows
taps | showering | accessories

