

# SPECIFICATION SHEET

**COLLECTION:** EDIT

**PRODUCT CODE:** EDI-130+K-C/P



**DESCRIPTION:**

2 hole bath shower mixer  
deck mounted  
with Atmosphere single function air-injection  
shower kit  
cold ceramic cartridge C-302-RTC  
hot ceramic cartridge C-302-LTC  
2 x 3/4" x 50mm fitted tails  
deck mount drill hole diameter 2 x 28-30mm  
minimum operating pressure 1.0 bar MP

**FINISH:**

Chrome

**FLOW REGULATOR:**

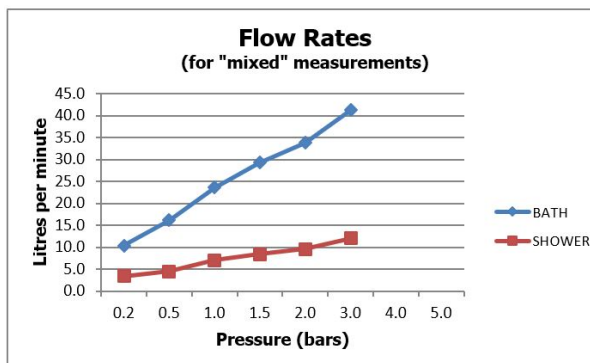
FR-SHOWER/9-C/P

**MINIMUM OPERATING PRESSURE:**

1.0 bar MP

**FLOW RATE AT 3.0 BAR FLOW PRESSURE:**

Bath: 41, Shower: 12 l/min



tel: 01934 744466  
email: sales@vado.com  
www.vado.com

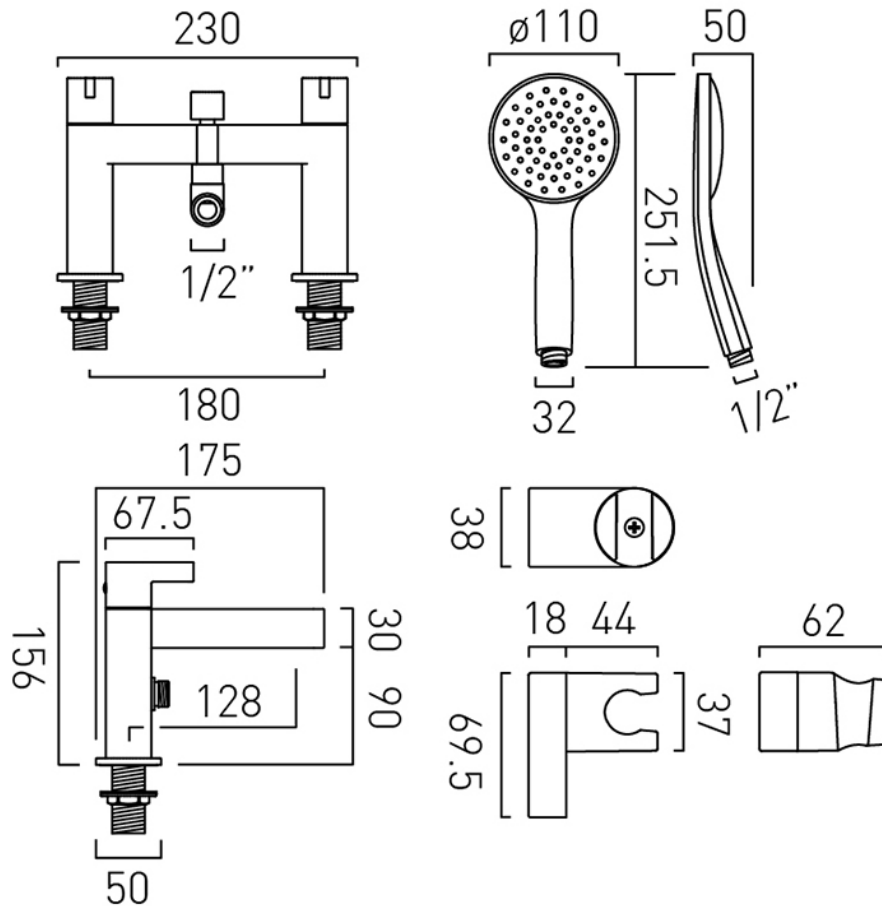
**where inspiration flows**  
taps | showering | accessories



# TECHNICAL DRAWING

COLLECTION: EDIT

PRODUCT CODE: EDI-130+K-C/P



tel: 01934 744466  
email: sales@vado.com  
www.vado.com

**where inspiration flows**  
taps | showering | accessories

