

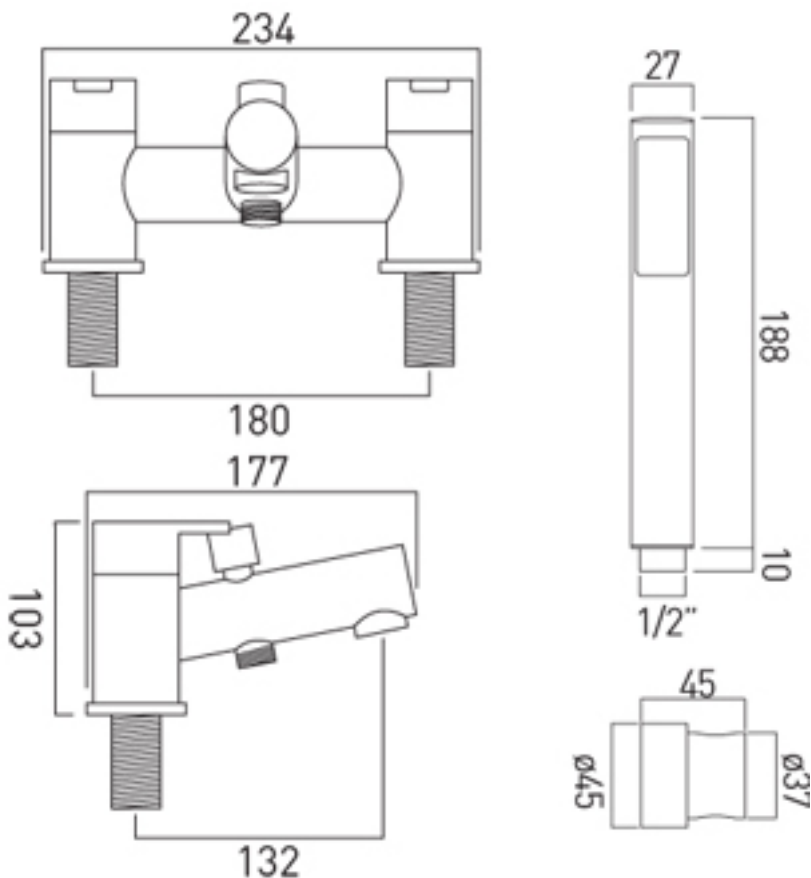


Technical sheet: SEN-130+K



2 hole bath shower mixer
deck mounted
with shower kit
with water flow straightener
cold ceramic cartridge TE-VALVE/CD/CL-3/4
hot ceramic cartridge TE-VALVE/CD/HT-3/4
3/4" x 50mm fitted tail connections
deck mounting drill hole diameter 28mm
minimum operating pressure 0.3 bar LP
chrome

Technical drawing



All products include a 12 year guarantee.