

# SPECIFICATION SHEET

**COLLECTION:** ALTITUDE

**PRODUCT CODE:** IND-T148/2-ALT-BRG



## DESCRIPTION:

Tablet Altitude vertical concealed 2 outlet 2 handle  
thermostatic shower valve with all-flow function

wall mounted

thermostatic cartridge V-001C-PLA

diverter cartridge TAB-001G-DIV

2 x 3/4" female inlets

2 x 3/4" female outlets

includes 3/4" - 1/2" adaptors

supplied with mortar/tile guard

min-max wall mount 75-100mm

optimum installation depth 87mm

minimum operating pressure 0.2 bar LP (shower) / 1.0

bar MP (bath)

## FINISH:

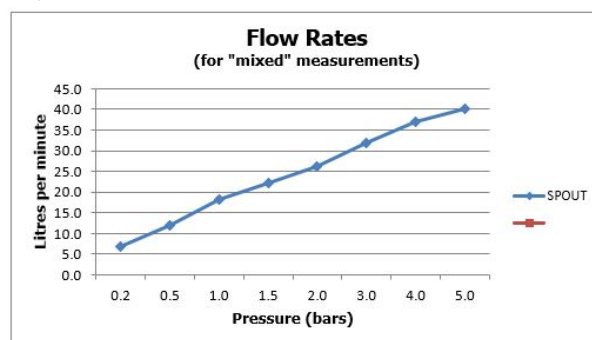
Brushed Gold

## MINIMUM OPERATING PRESSURE:

0.2 bar LP (shower) 1.0 bar MP (bath)

## FLOW RATE AT 3.0 BAR FLOW PRESSURE:

32 l/min



15 year guarantee

tel: 01934 744466

email: sales@vado.com

www.vado.com

where inspiration flows

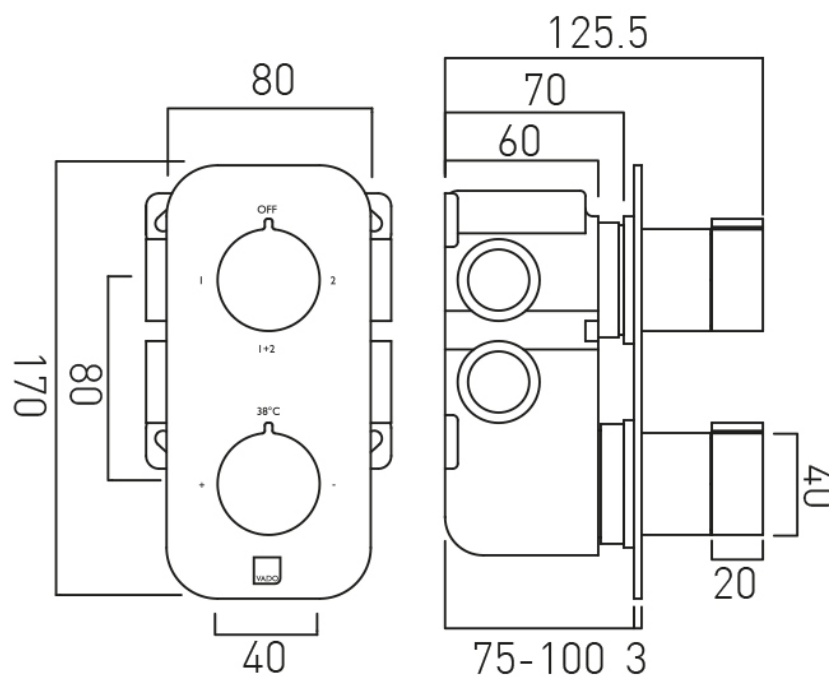
taps | showering | accessories



# TECHNICAL DRAWING

**COLLECTION:** ALTITUDE

**PRODUCT CODE:** IND-T148/2-ALT-BRG



tel: 01934 744466  
email: sales@vado.com  
www.vado.com

**where inspiration flows**  
taps | showering | accessories



# SPECIFICATION SHEET

**COLLECTION:** INDIVIDUAL

**PRODUCT CODE:** IND-RO/30-BRG



**DESCRIPTION:**

single function easy clean slim line round shower head  
300mm (12")

minimum operating pressure 0.2 bar LP

**FINISH:**

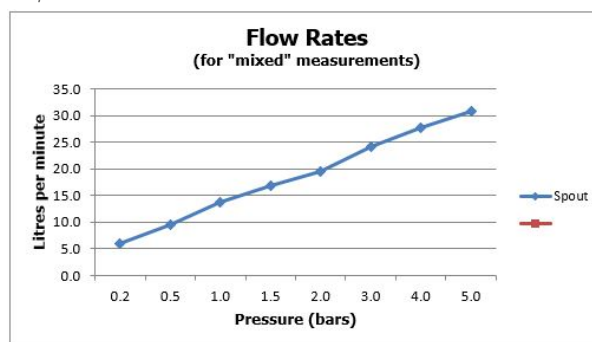
Brushed Gold

**MINIMUM OPERATING PRESSURE:**

0.2 bar LP

**FLOW RATE AT 3.0 BAR FLOW PRESSURE:**

24 l/min



tel: 01934 744466  
email: [sales@vado.com](mailto:sales@vado.com)  
[www.vado.com](http://www.vado.com)

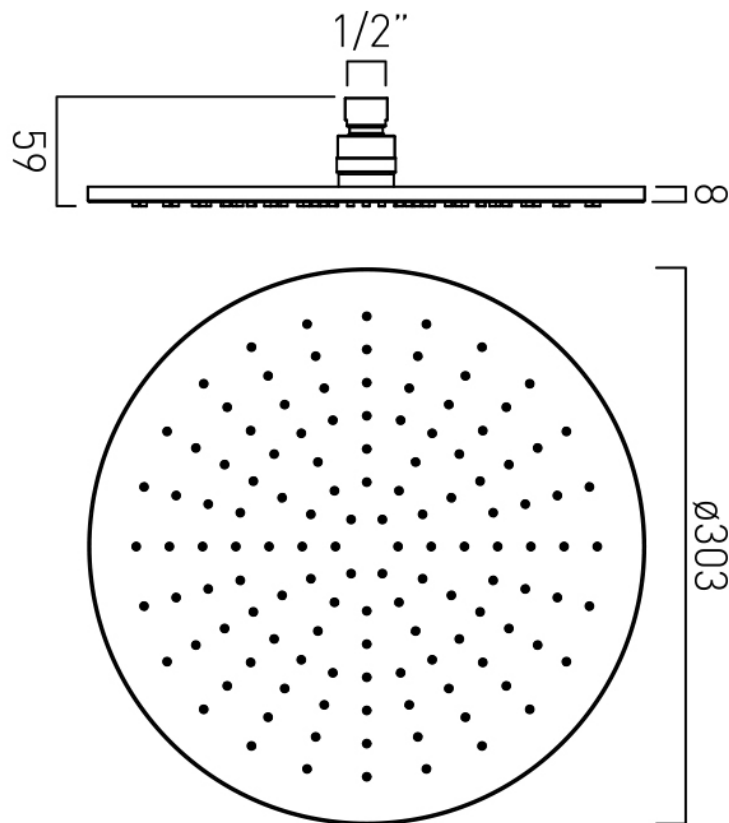
**where inspiration flows**  
taps | showering | accessories



# TECHNICAL DRAWING

**COLLECTION:** INDIVIDUAL

**PRODUCT CODE:** IND-RO/30-BRG



tel: 01934 744466  
email: [sales@vado.com](mailto:sales@vado.com)  
[www.vado.com](http://www.vado.com)

**where inspiration flows**  
taps | showering | accessories



---

# SPECIFICATION SHEET

**COLLECTION:** INDIVIDUAL

**PRODUCT CODE:** IND-EFSA/RO-BRG



**DESCRIPTION:**

shower arm round easy fit wall mounted

**FINISH:**

Brushed Gold



tel: 01934 744466  
email: [sales@vado.com](mailto:sales@vado.com)  
[www.vado.com](http://www.vado.com)

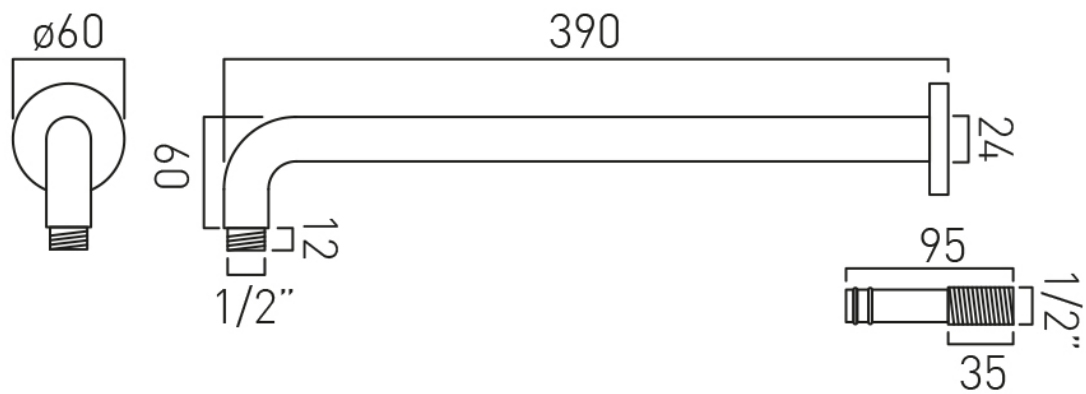
**where inspiration flows**  
taps | showering | accessories



# TECHNICAL DRAWING

**COLLECTION:** INDIVIDUAL

**PRODUCT CODE:** IND-EFSA/RO-BRG



tel: 01934 744466  
email: sales@vado.com  
www.vado.com

**where inspiration flows**  
taps | showering | accessories



# SPECIFICATION SHEET

**COLLECTION:** INDIVIDUAL

**PRODUCT CODE:** IND-SFMKWO/RO-BRG



**DESCRIPTION:**

single function mini shower kit  
wall mounted  
with hose and bracket with integral outlet  
1/2" inlet  
minimum operating pressure 0.2 bar LP

**FINISH:**

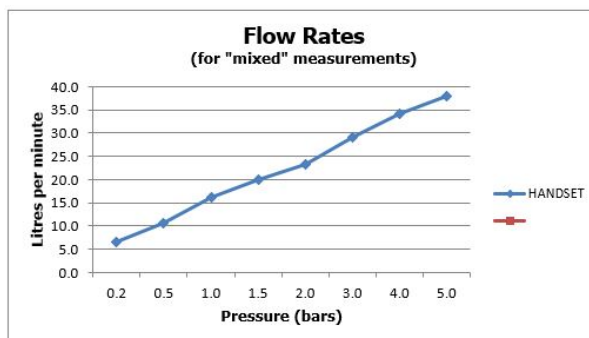
Brushed Gold

**MINIMUM OPERATING PRESSURE:**

0.2 bar LP

**FLOW RATE AT 3.0 BAR FLOW PRESSURE:**

29 l/min



tel: 01934 744466  
email: sales@vado.com  
www.vado.com

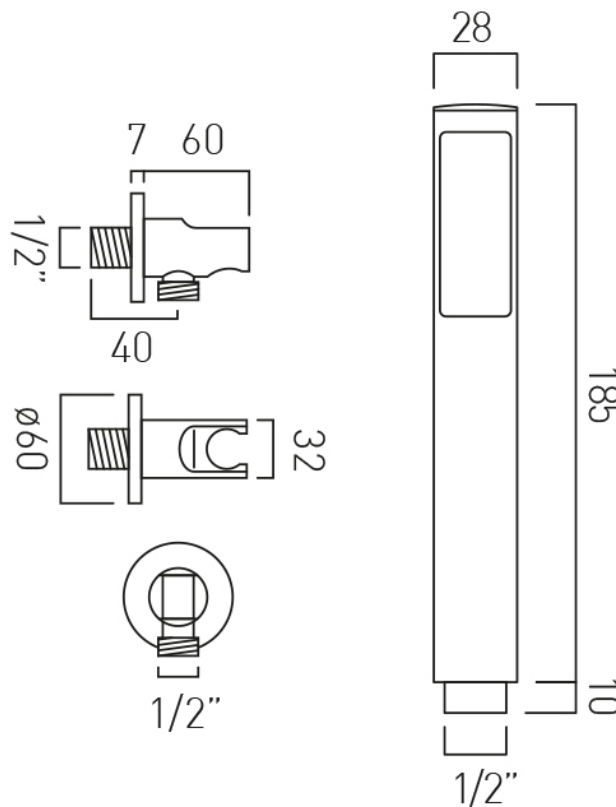
**where inspiration flows**  
taps | showering | accessories



# TECHNICAL DRAWING

**COLLECTION:** INDIVIDUAL

**PRODUCT CODE:** IND-SFMKWO/RO-BRG



tel: 01934 744466  
email: sales@vado.com  
www.vado.com

**where inspiration flows**  
taps | showering | accessories

